



Assembly manual



Tools needed

To unpack bundle



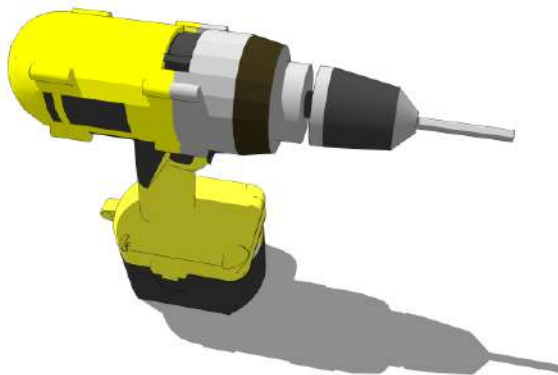
14mm allen key



30mm spanner key



To assemble posts



**High speed drill
with 12mm allen
key**

To fit panels

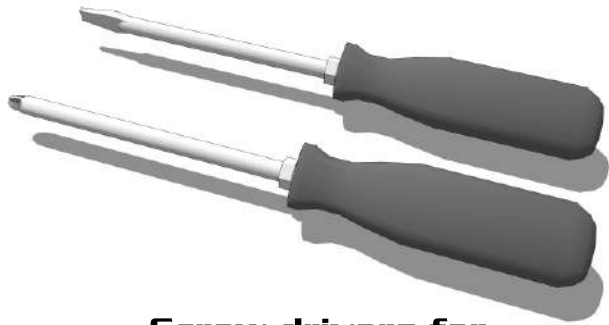


**14mm and 17mm spanner
keys**



Tools needed

For finishing



**Screw drivers for
slotted and cross head
screws**



Crowbar



Silicon putty



1

2

3

4

5

6

7

8

A

B

C

D

E

F

A

B

C

D

E

F



1

2

3

4

5

6

7

WARNING:

Do not handle the bundle with forklift truck or side stacker



1

2

3

4

5

6

7

8

A

B

C

D

E

F

A

B

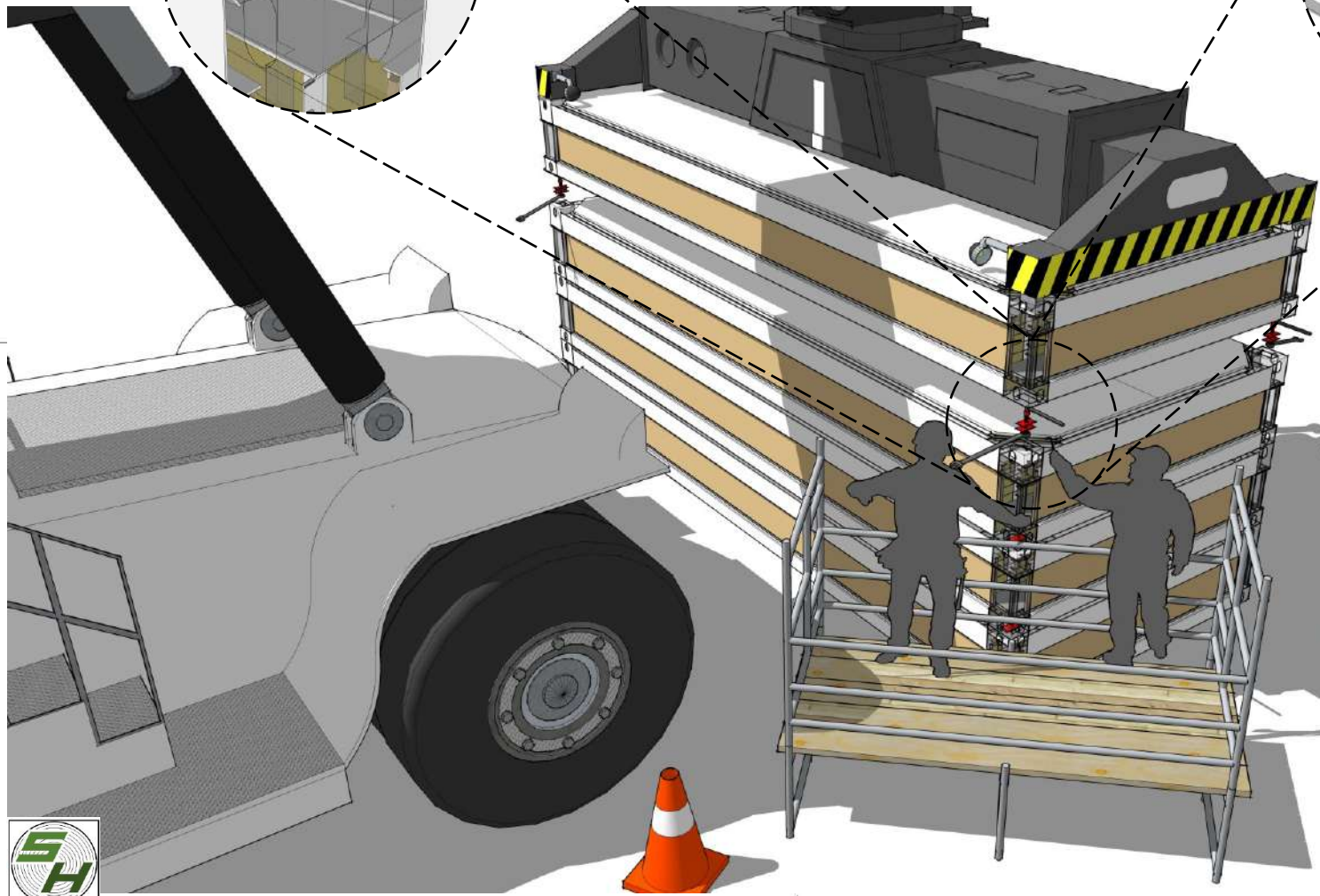
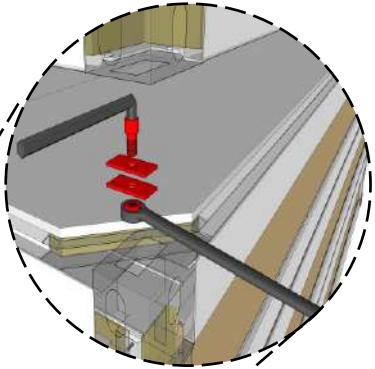
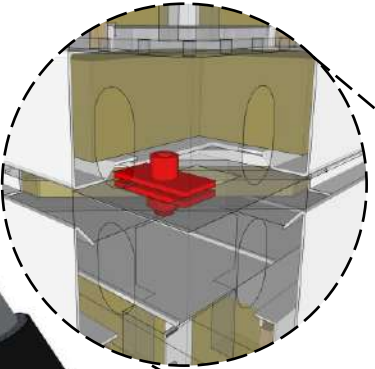
C

D

E

F

**Remove all the screws locking
the corner castings of the kit**



1

2

3

4

5

6

7

1

2

3

4

5

6

7

8

A

B

C

D

E

F

A

B

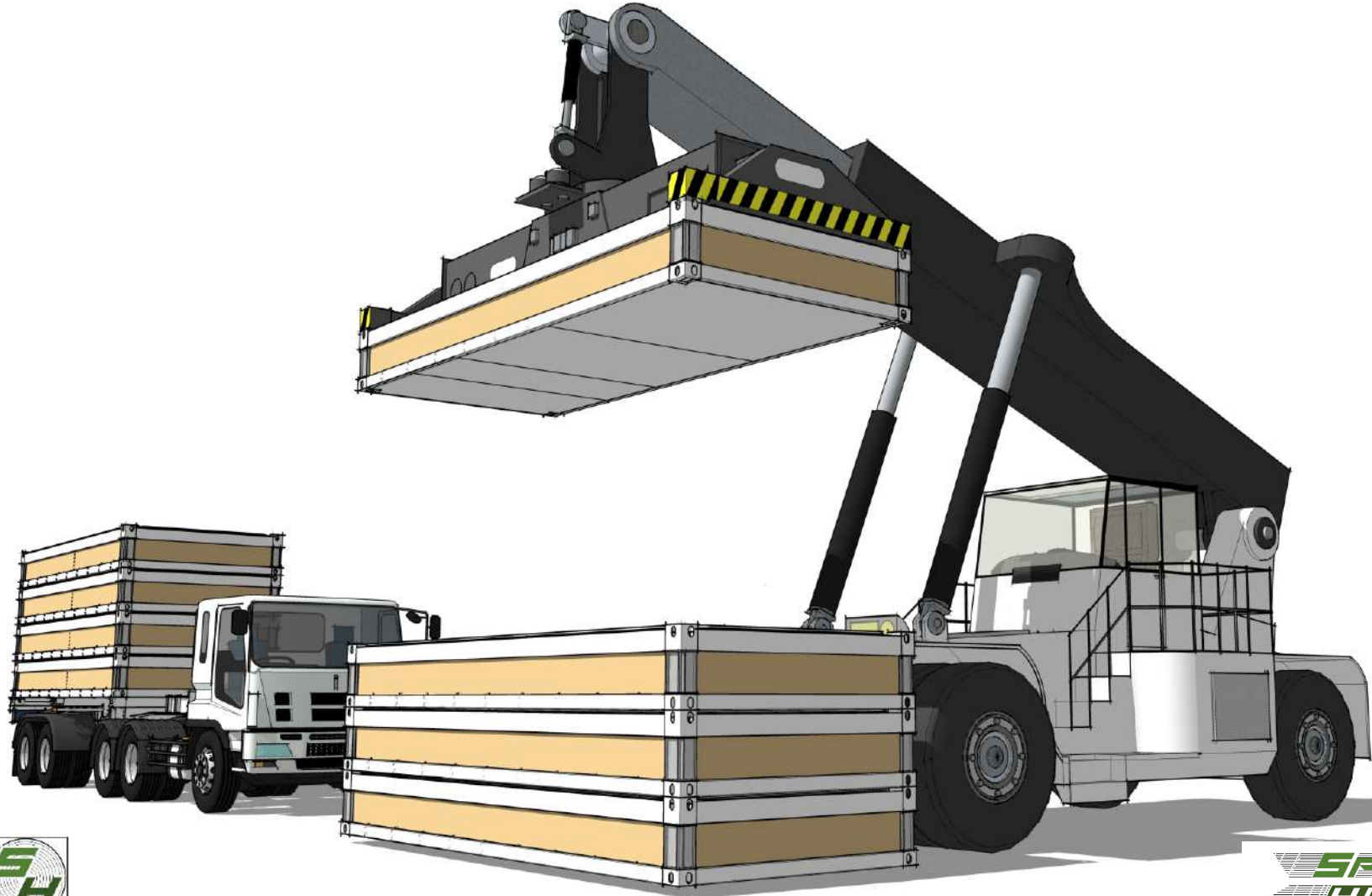
C

D

E

F

Do not lift more than 1 kit at a time



1

2

3

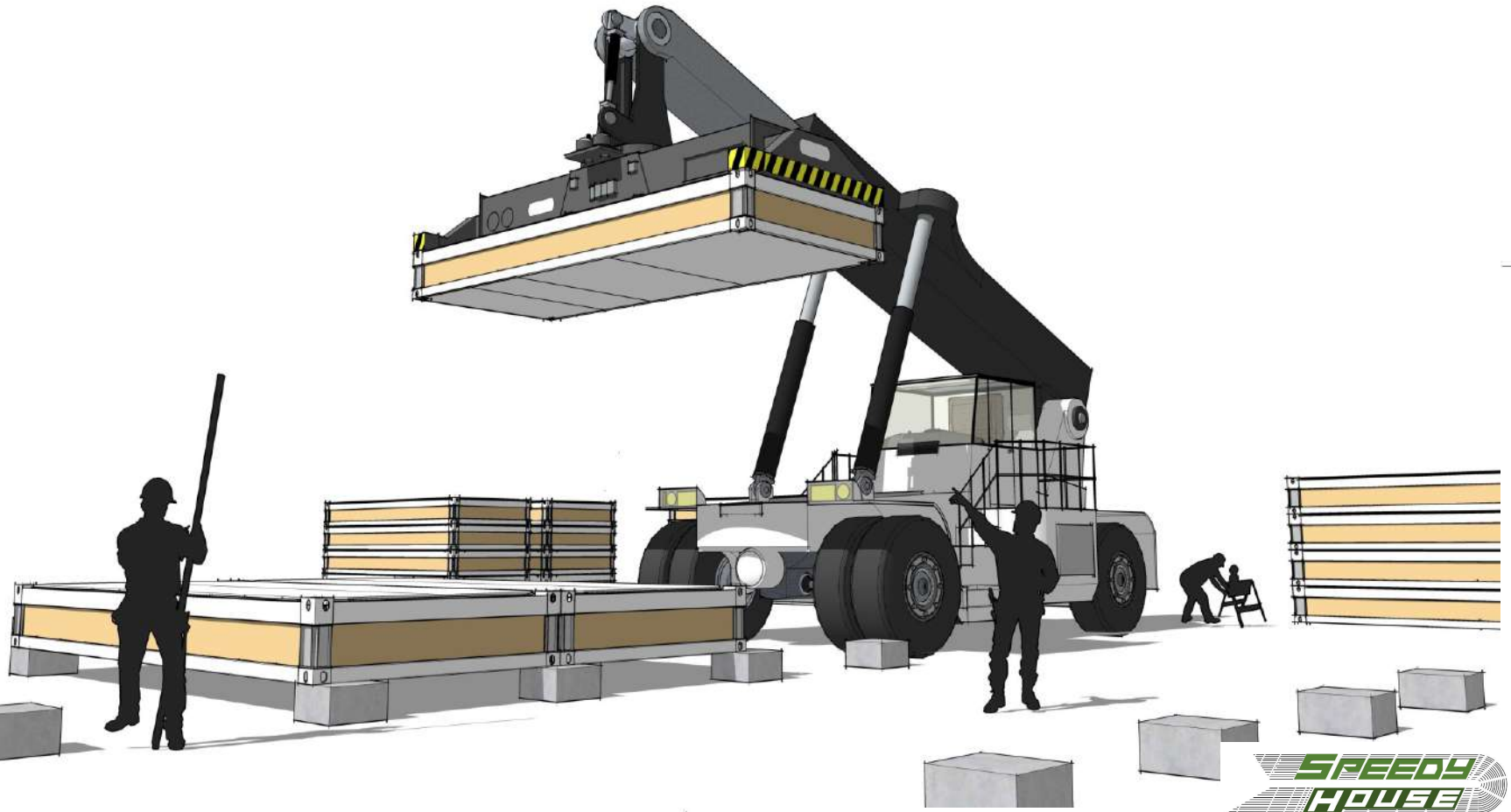
4

5

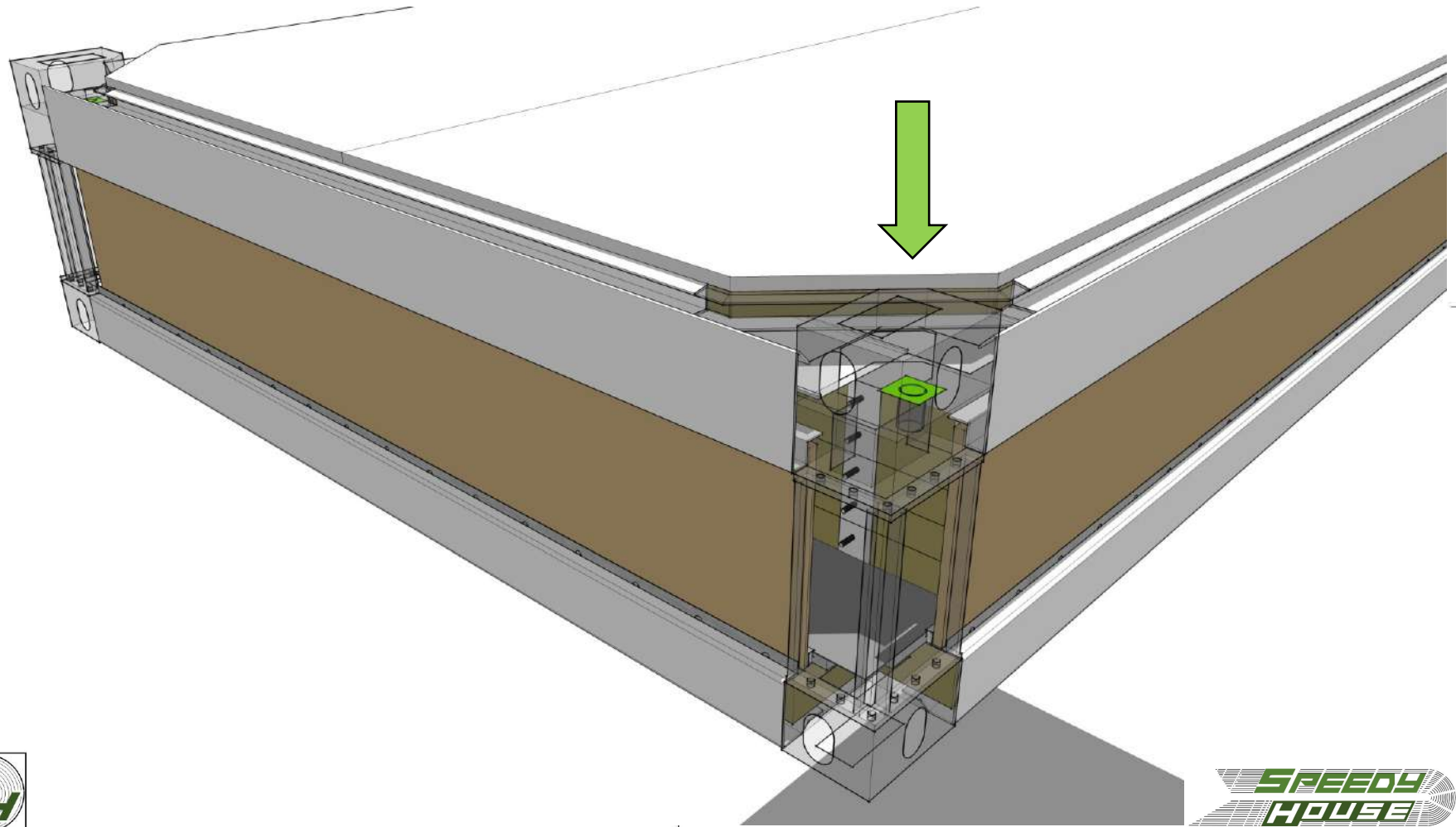
6

7

Position the kit in the assembly area



**Remove the caps sealing the hole of
the roof drain pipes**



1

2

3

4

5

6

7

8

A

A

Remove the screws locking the bundling columns

B

B

C

C

D

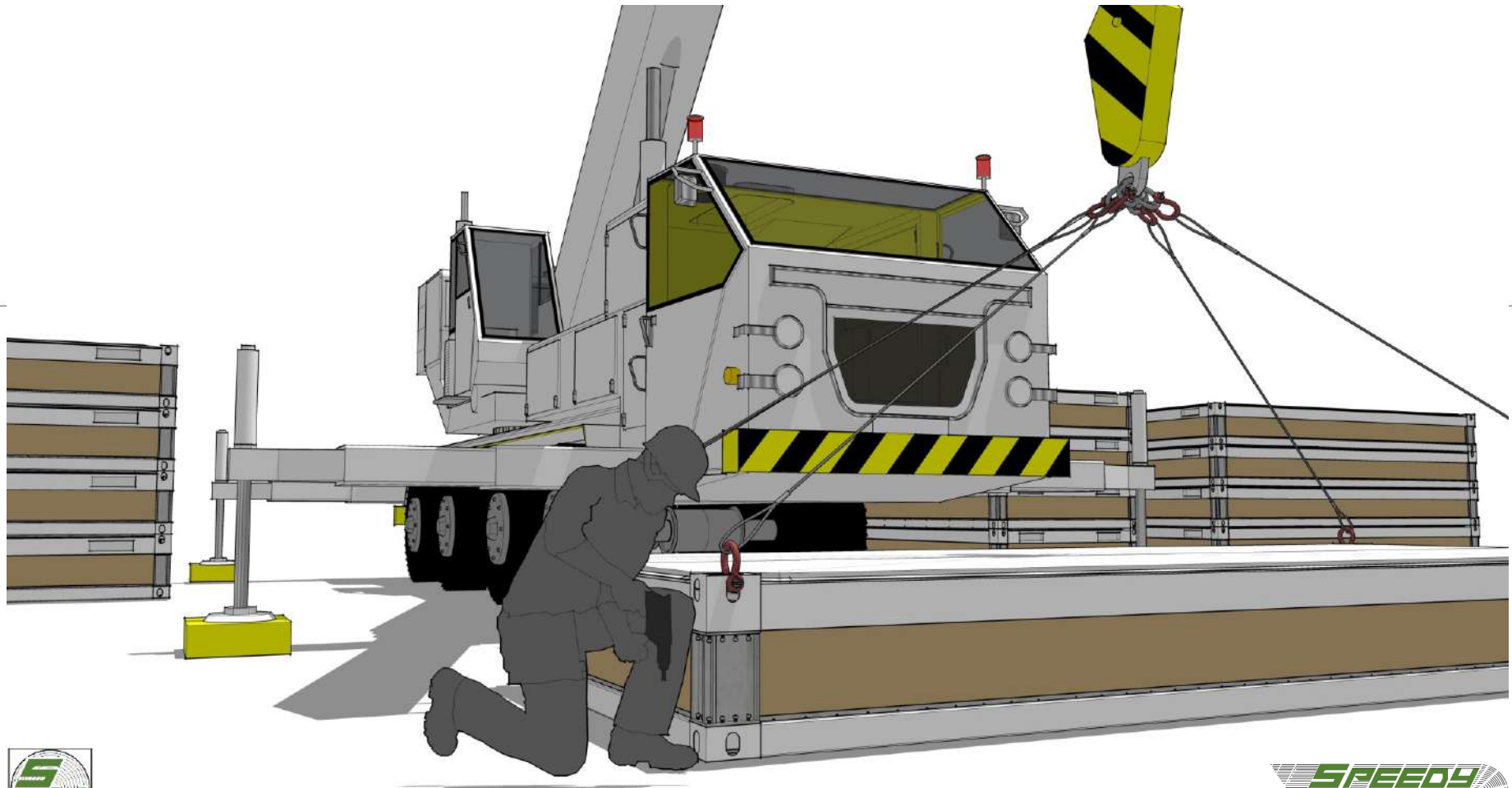
D

E

E

F

F



1

2

3

4

5

6

7

8

A

A

Lift the roof through the holes of the corner castings

B

B

C

C

D

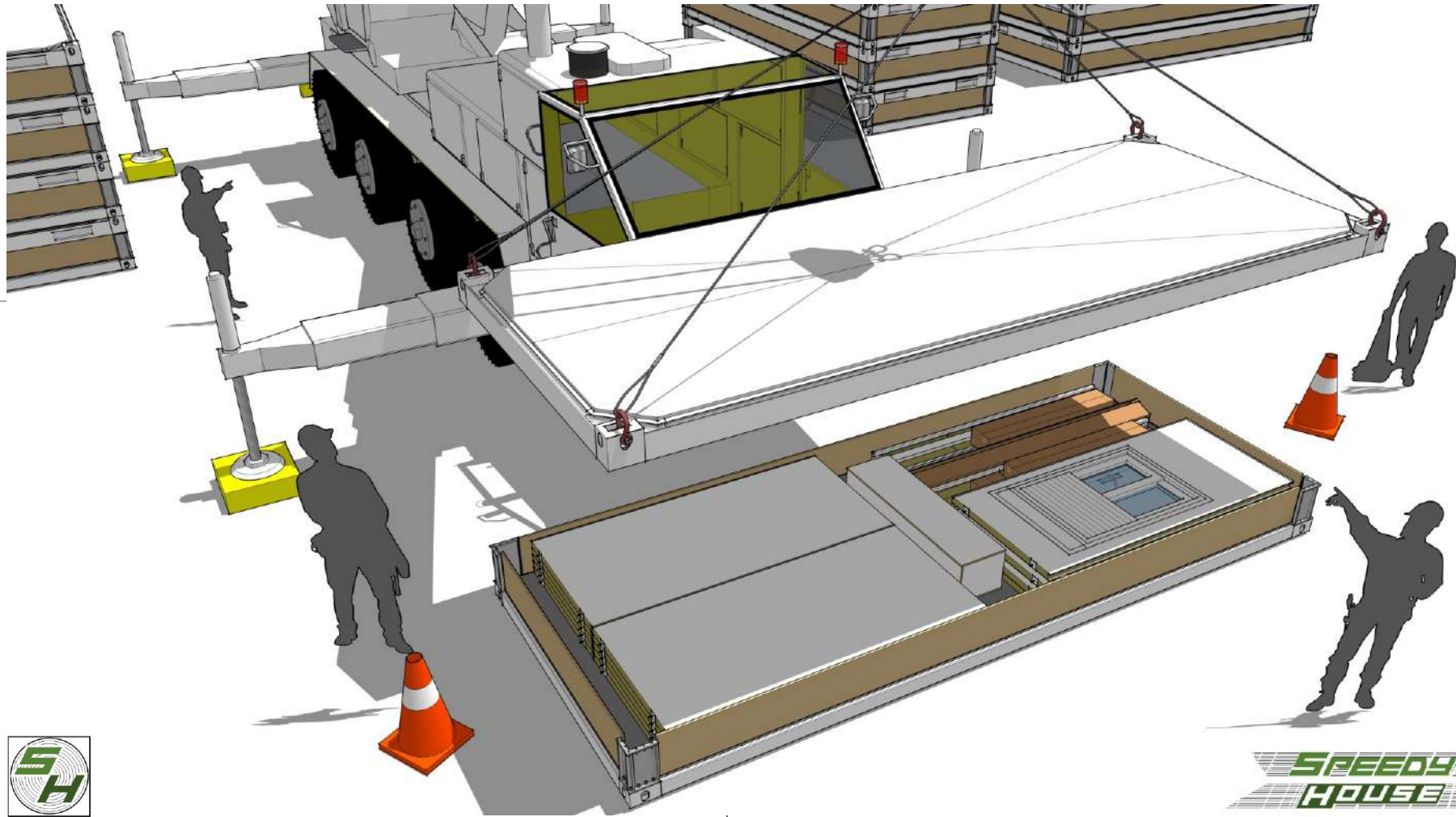
D

E

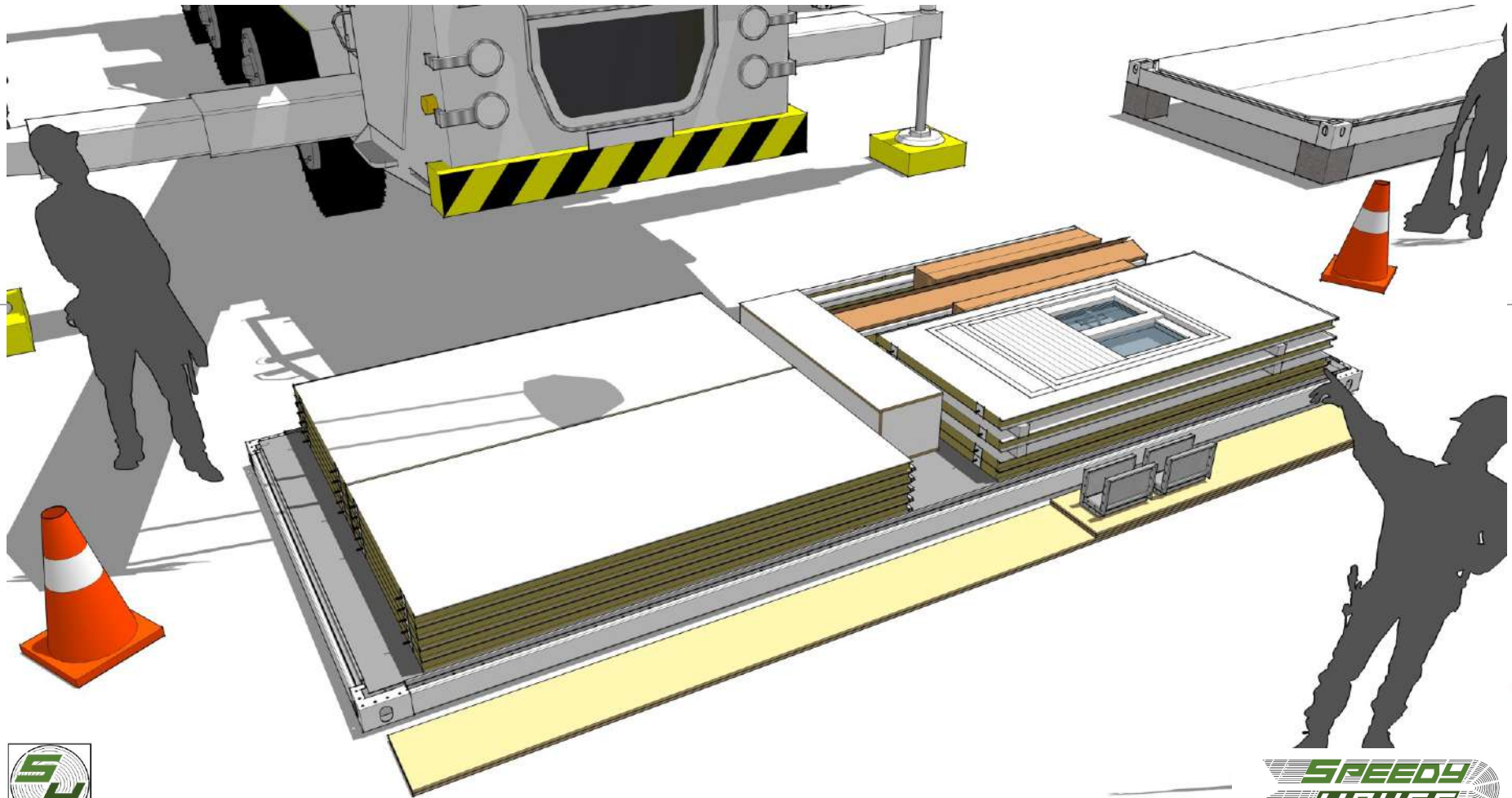
E

F

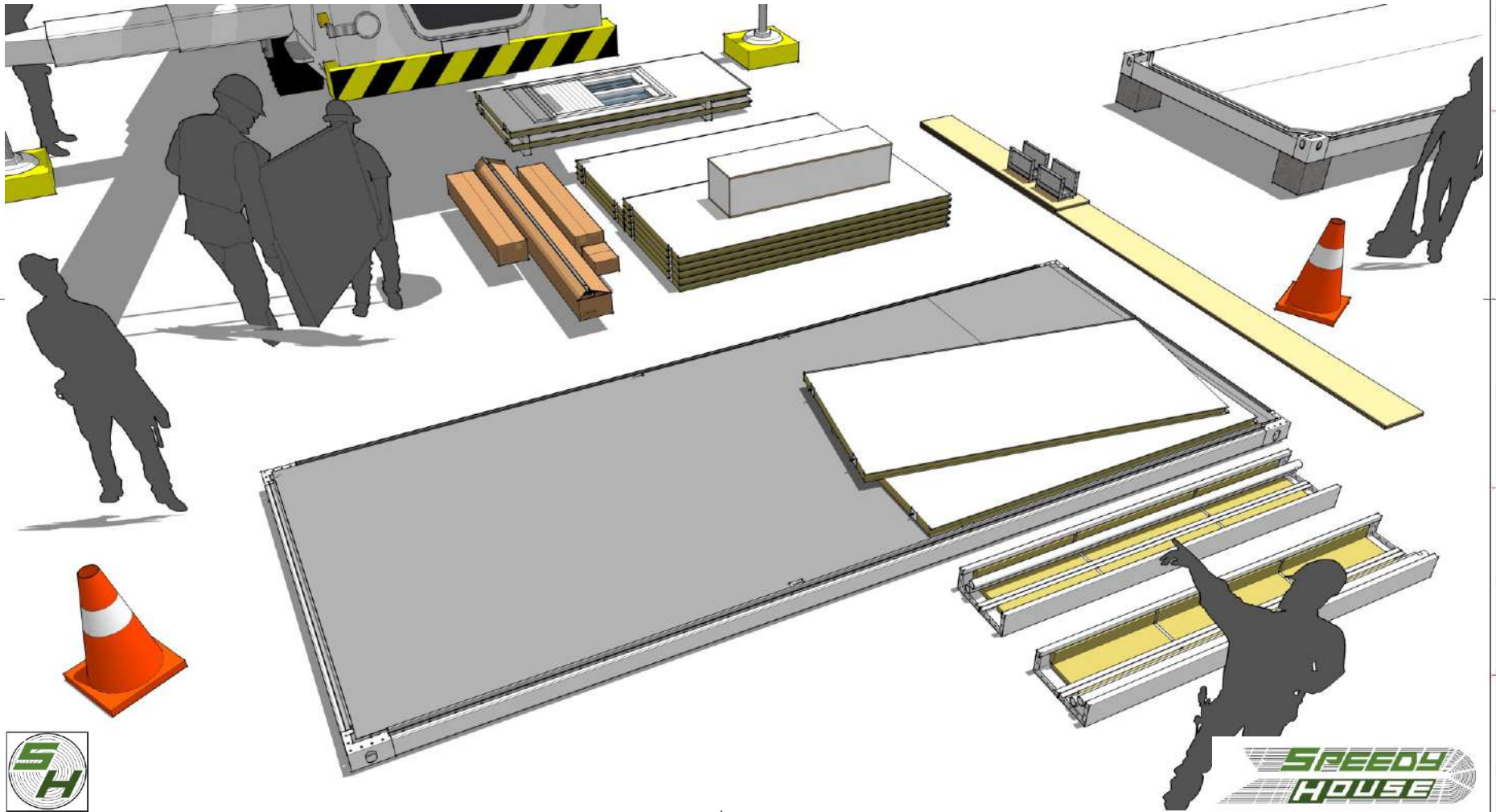
F



The kit contains all necessary components for a proper assembly



Remove all the components from the base



1

2

3

4

5

6

7

8

A

A

Position the corner posts

B

B

C

C

D

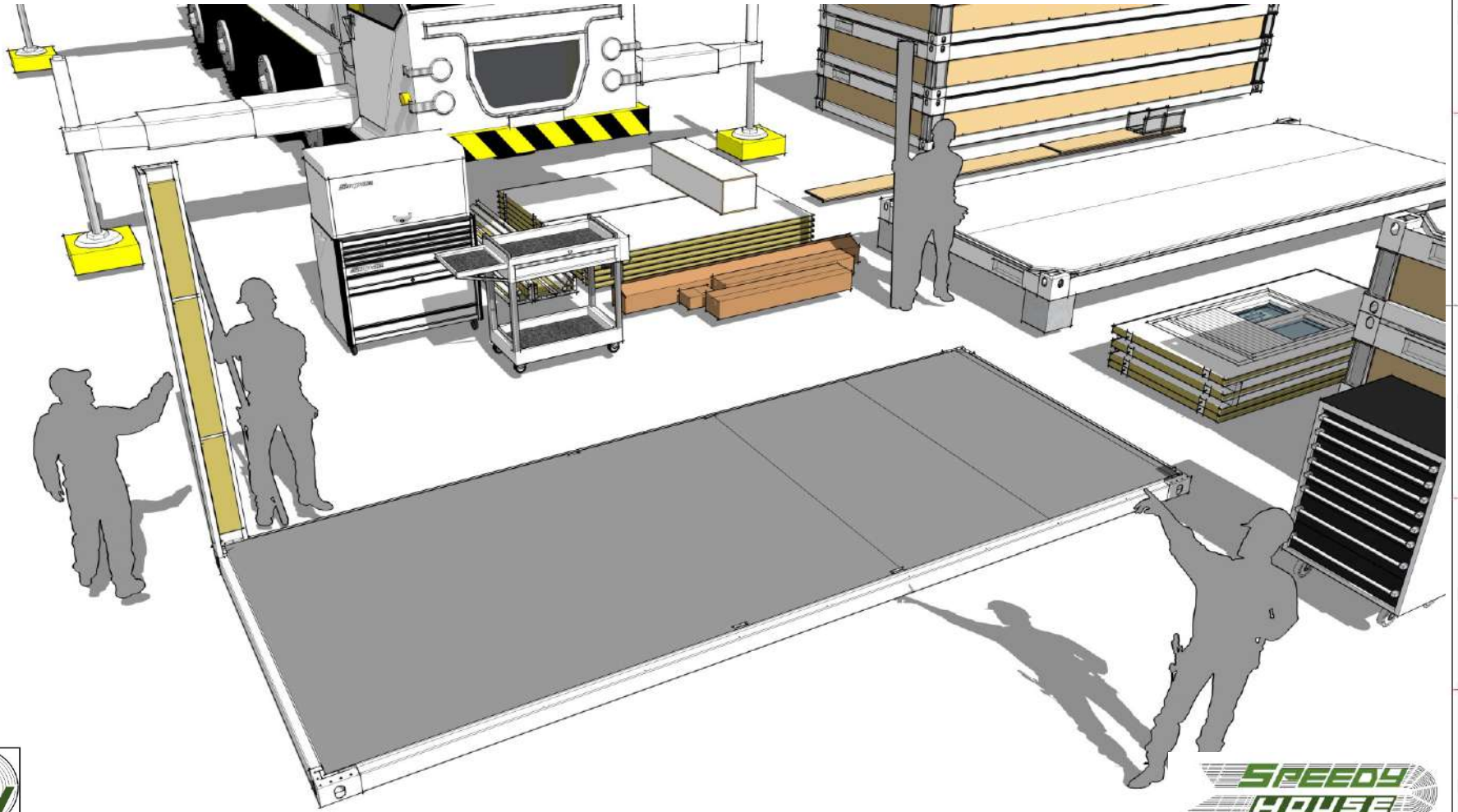
D

E

E

F

F



1

2

3

4

5

6

7

Fix the corner post by using M12 x 40 screws. Keep it loose to allow adjustment when installing the roof



1

2

3

4

5

6

7

8

A

B

E

D

E

F

A

B

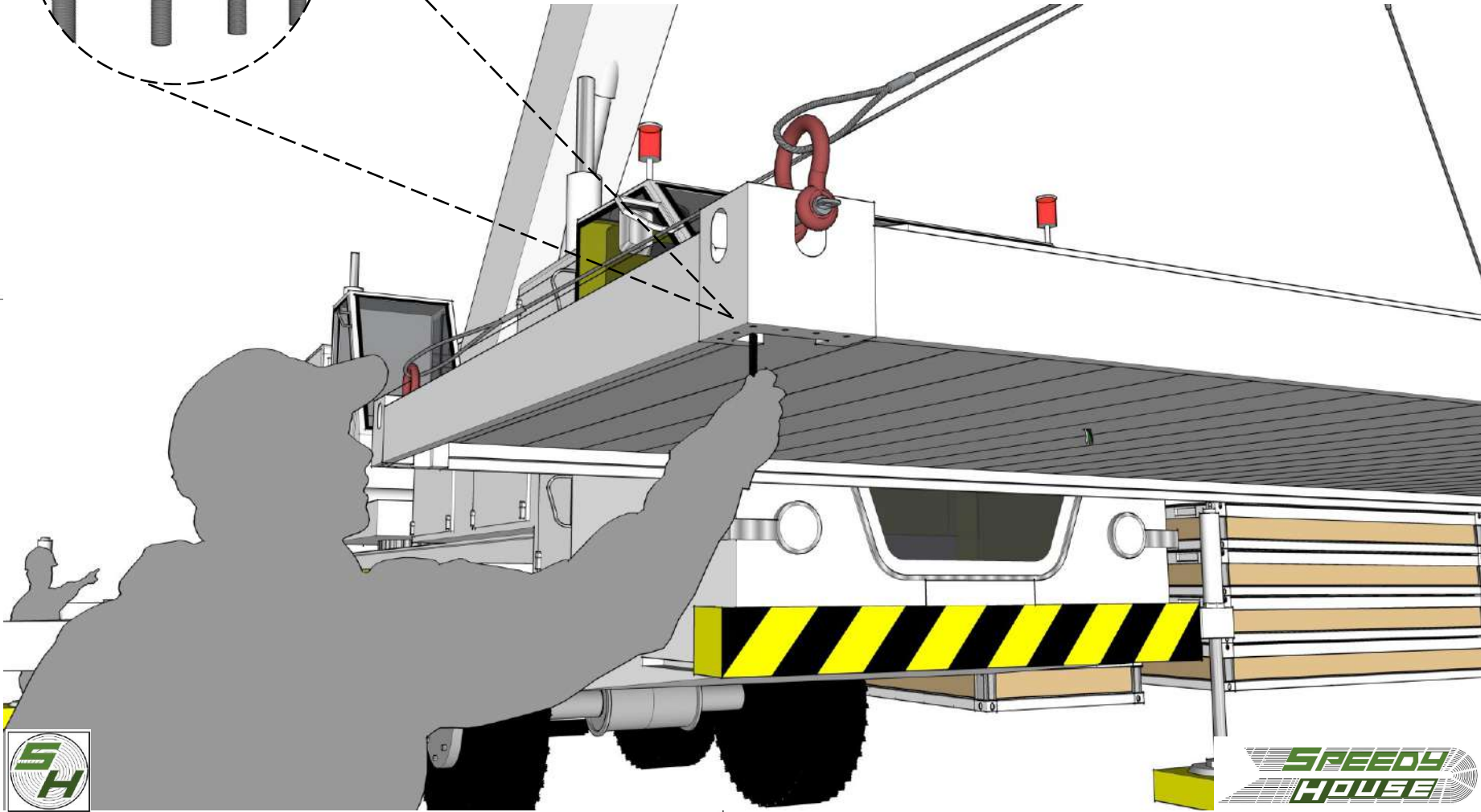
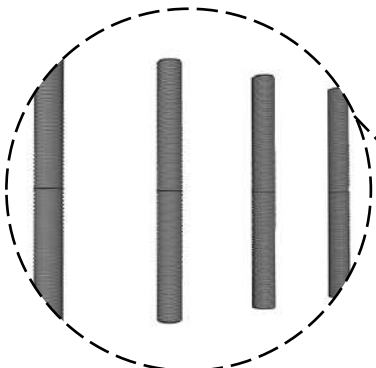
C

D

E

F

Insert 4 threaded pins, one on each corner of roof frame - this is for easy corner posts to roof frame installation



1

2

3

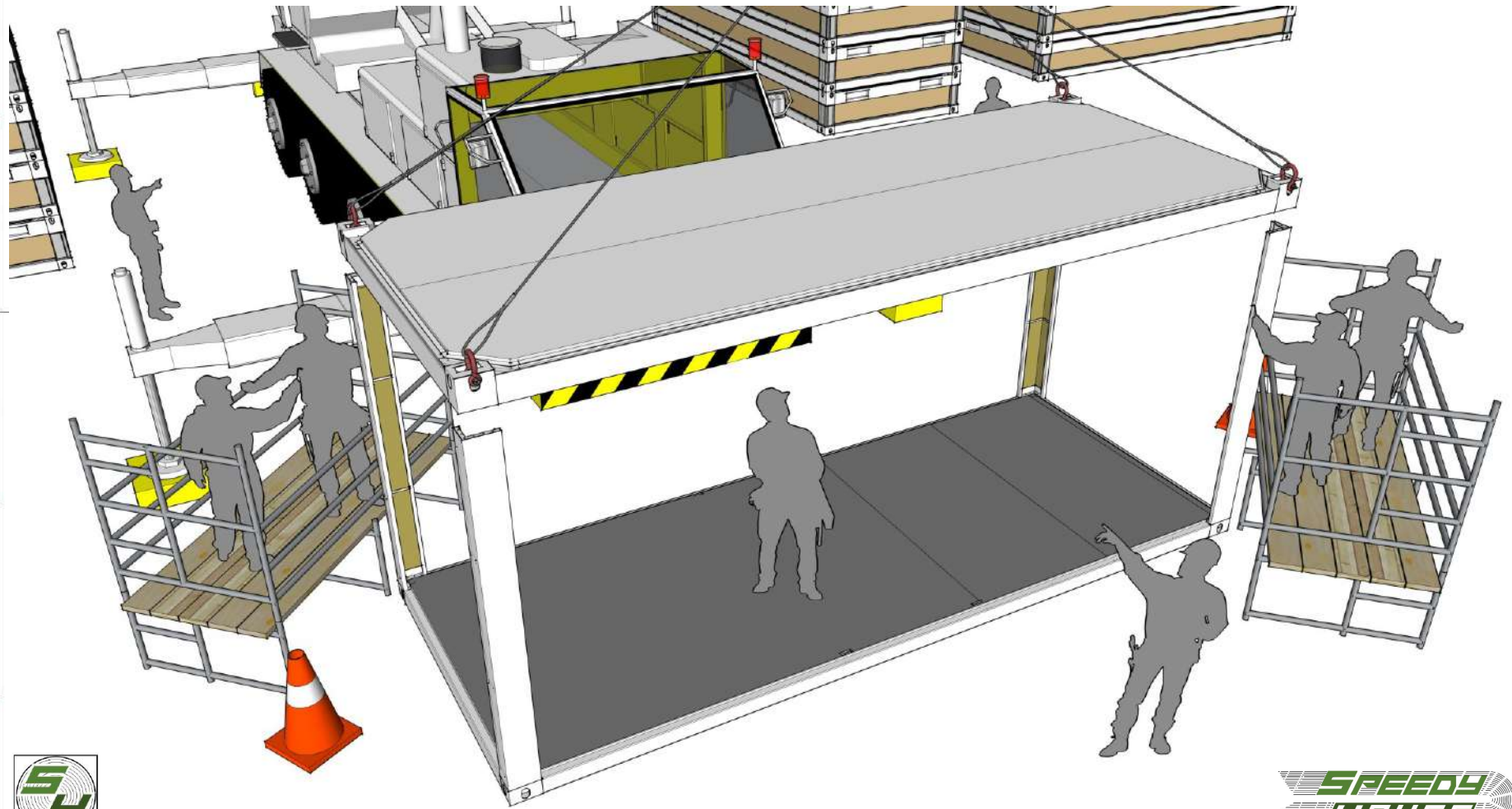
4

5

6

7

Position the roof frame



1

2

3

4

5

6

7

8

A

A

Once the roof frame is set, tighten the nut of the threaded pins

B

B

C

C

D

D

E

E

F

F



1

2

3

4

5

6

7

1

2

3

4

5

6

7

8

A

A

Tighten all screws on all 4 corner posts

B

B

C

C

D

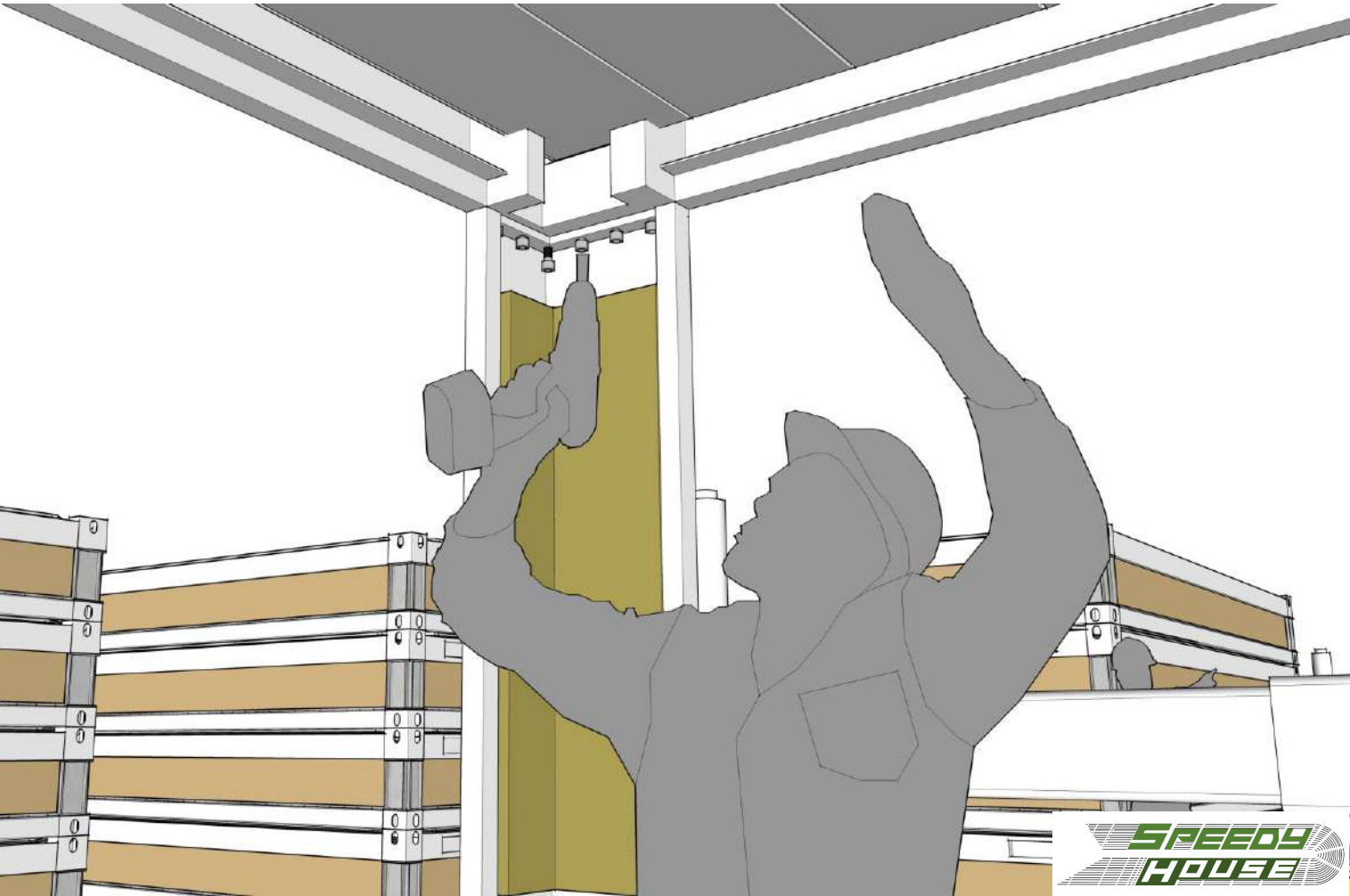
D

E

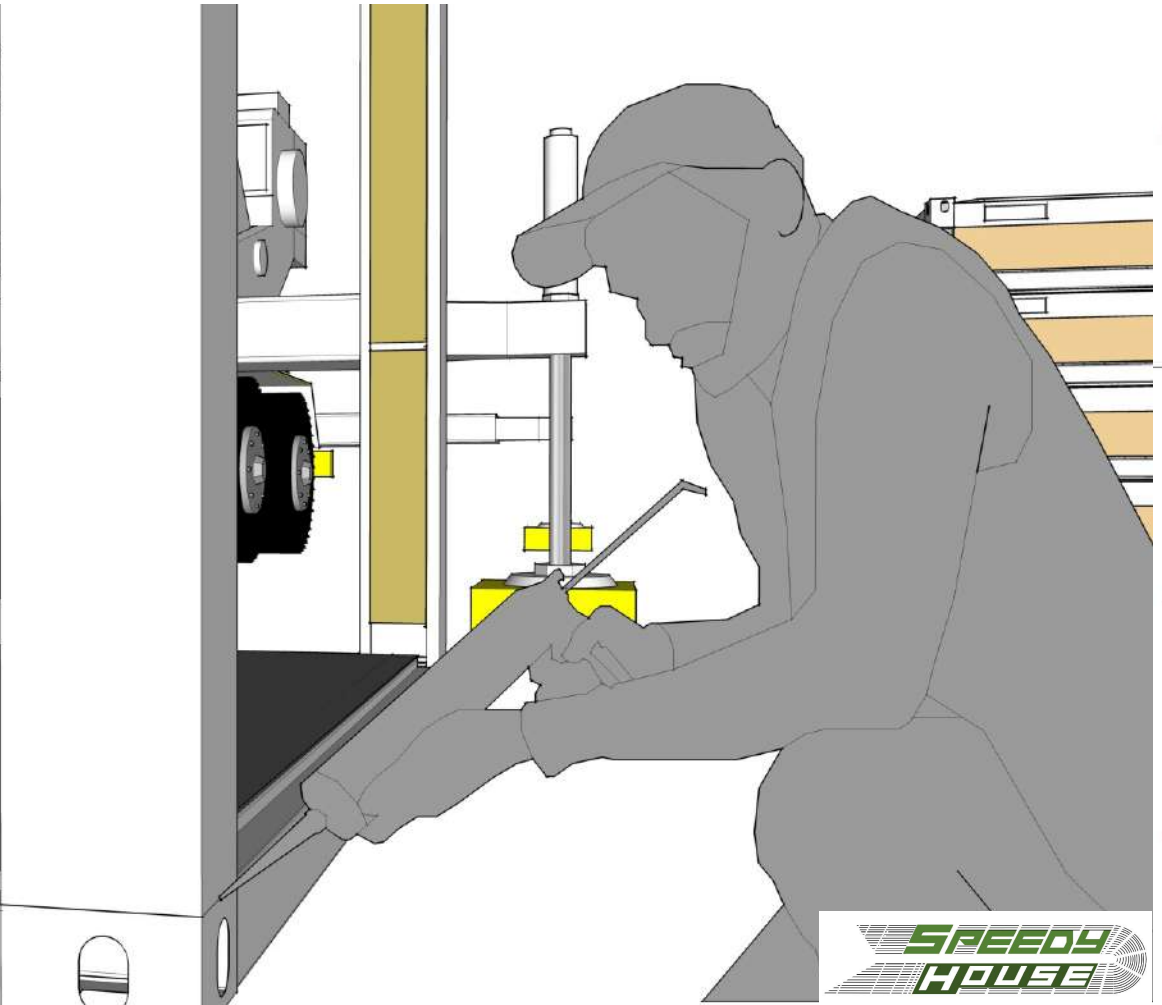
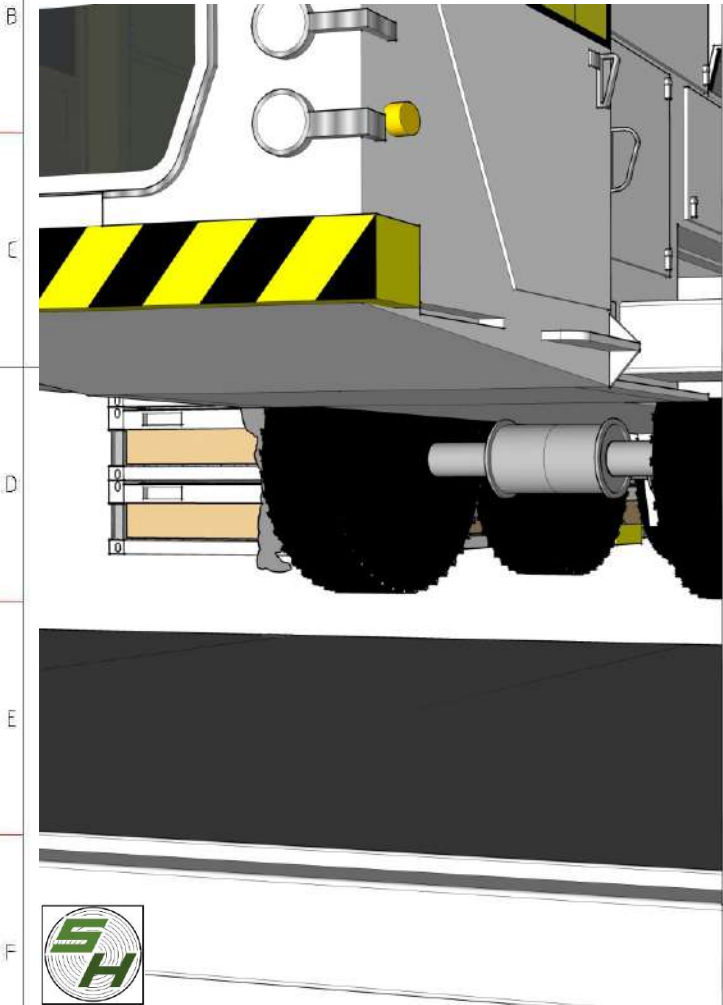
E

F

F



Seal the bottom joints between the floor frame and corner posts with silicon



1

2

3

4

5

6

7

8

A

A

Seal the top joints between the roof frame and corner posts with silicon

B

B

C

C

D

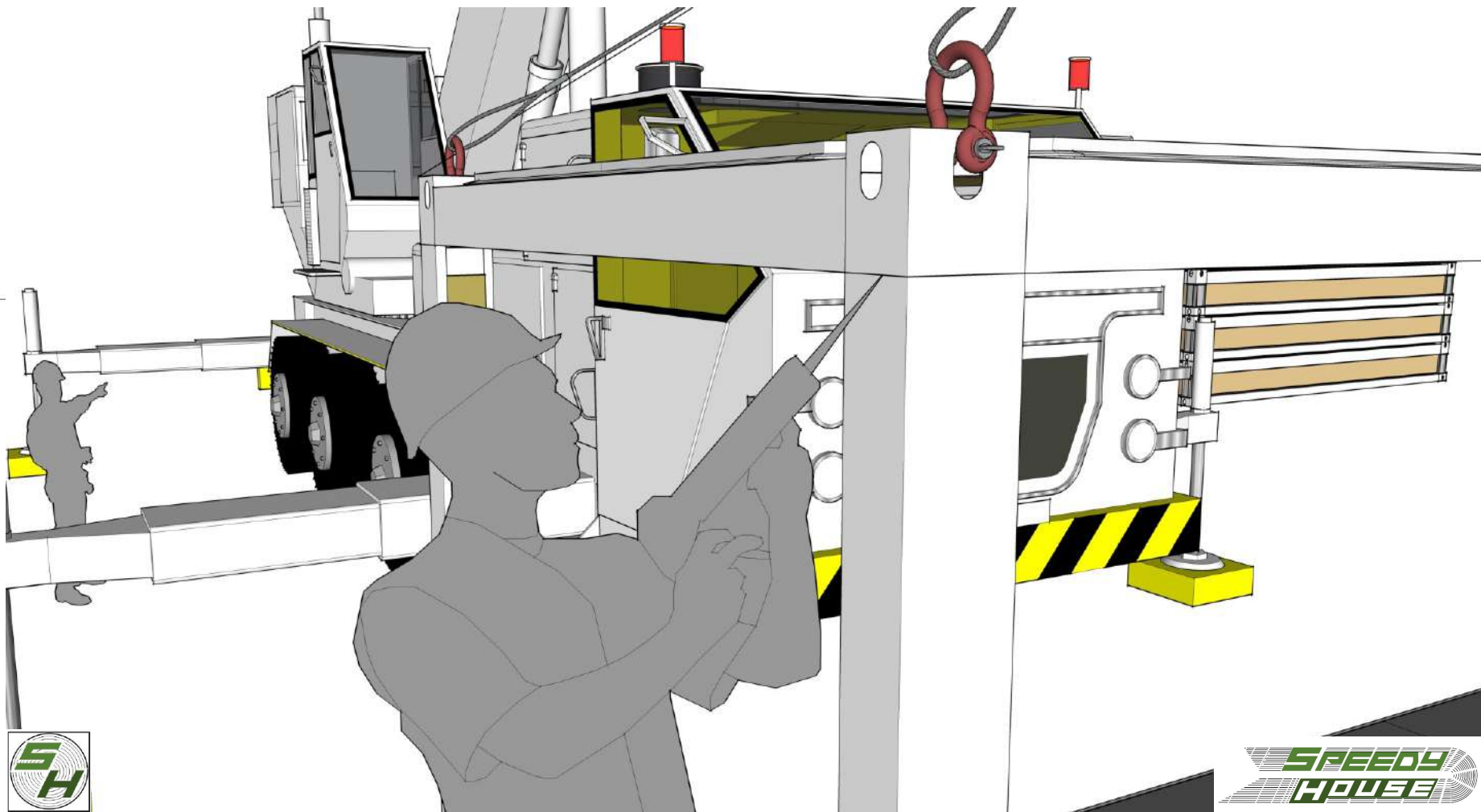
D

E

E

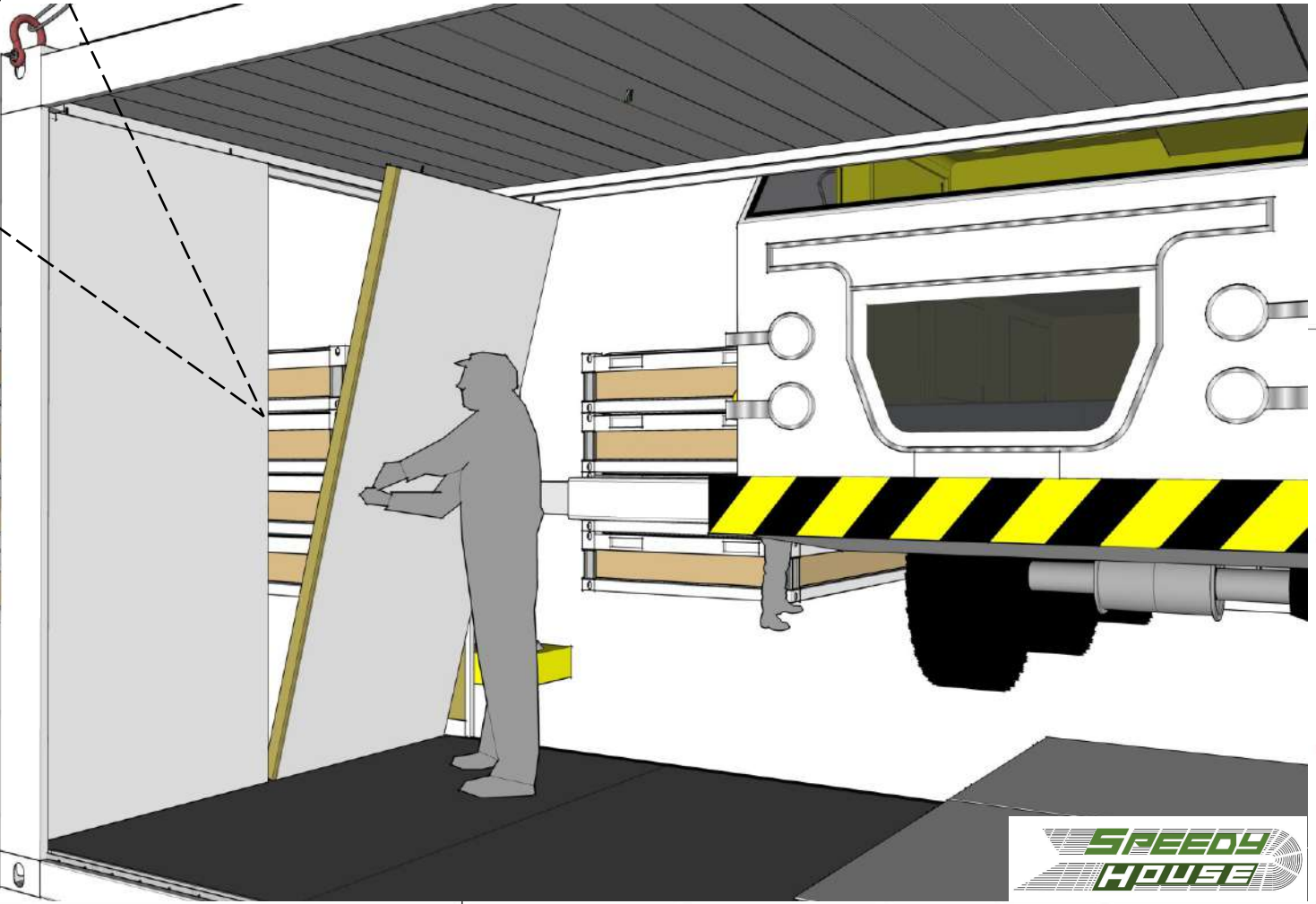
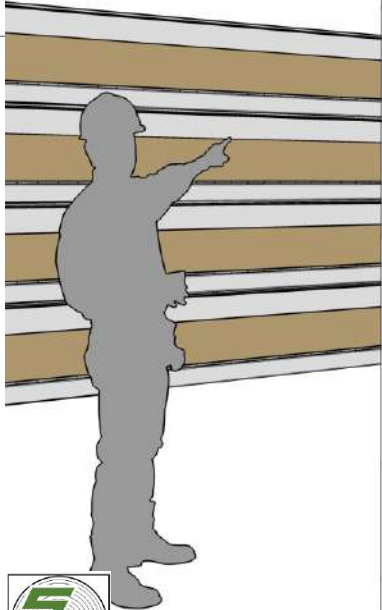
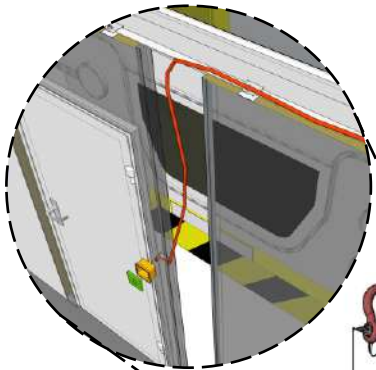
F

F

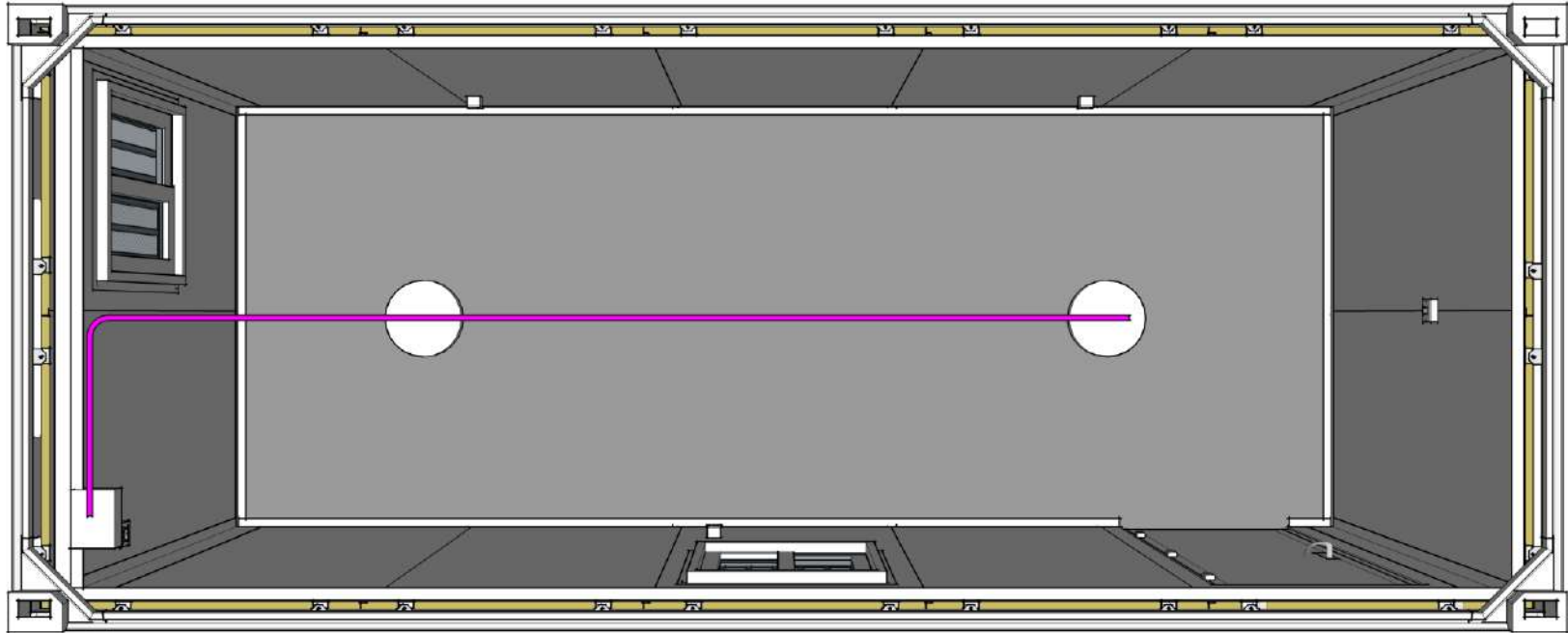


Install panels, door/s and window/s as per approved drawings

Note:
Electric cables are
Installed in between
Wall panels



Approved layout



1

2

3

4

5

6

7

8

A

A

Install the bended locking plates on the top of the panel

B

B

C

C

D

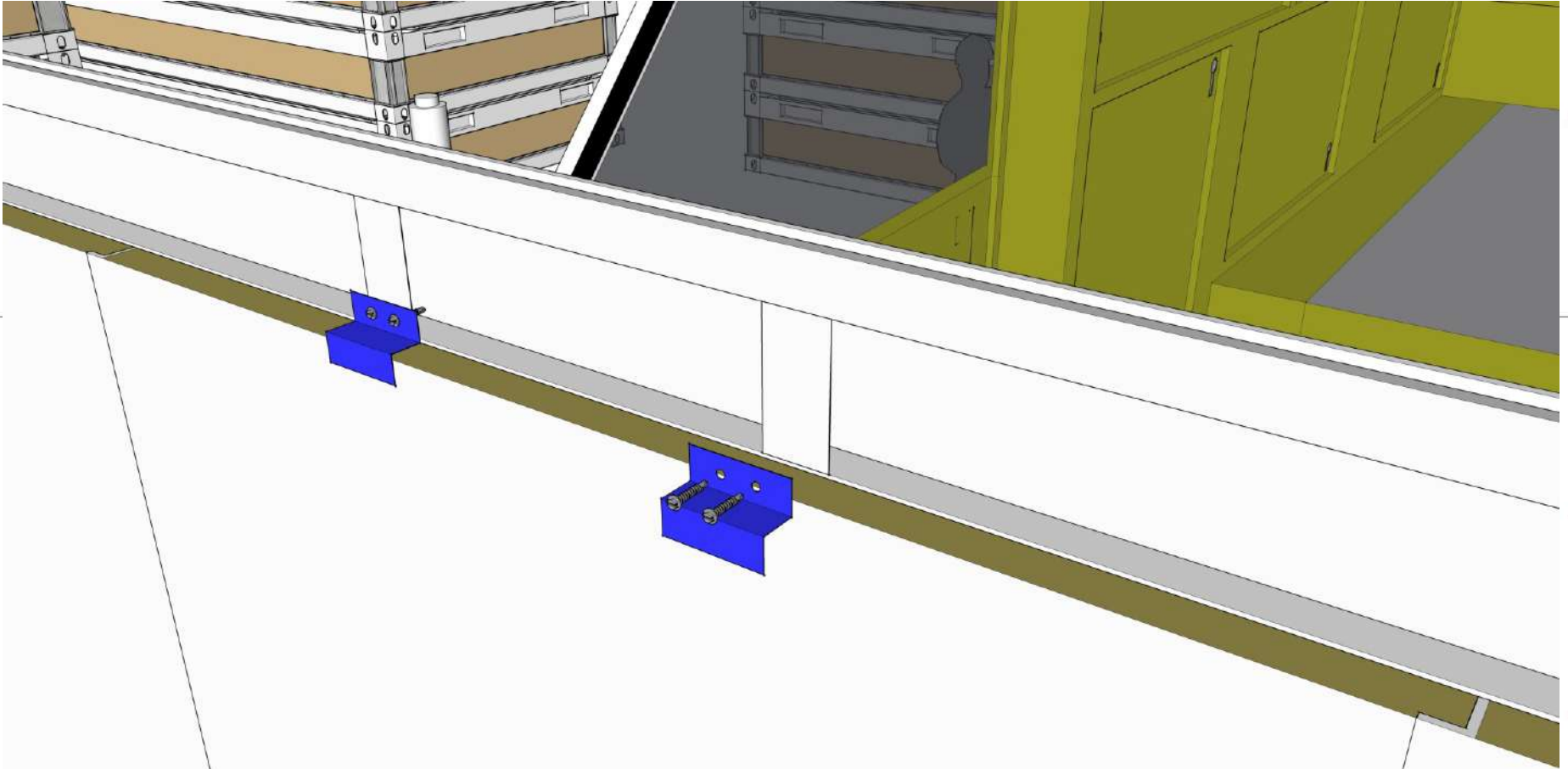
D

E

E

F

F



1

2

3

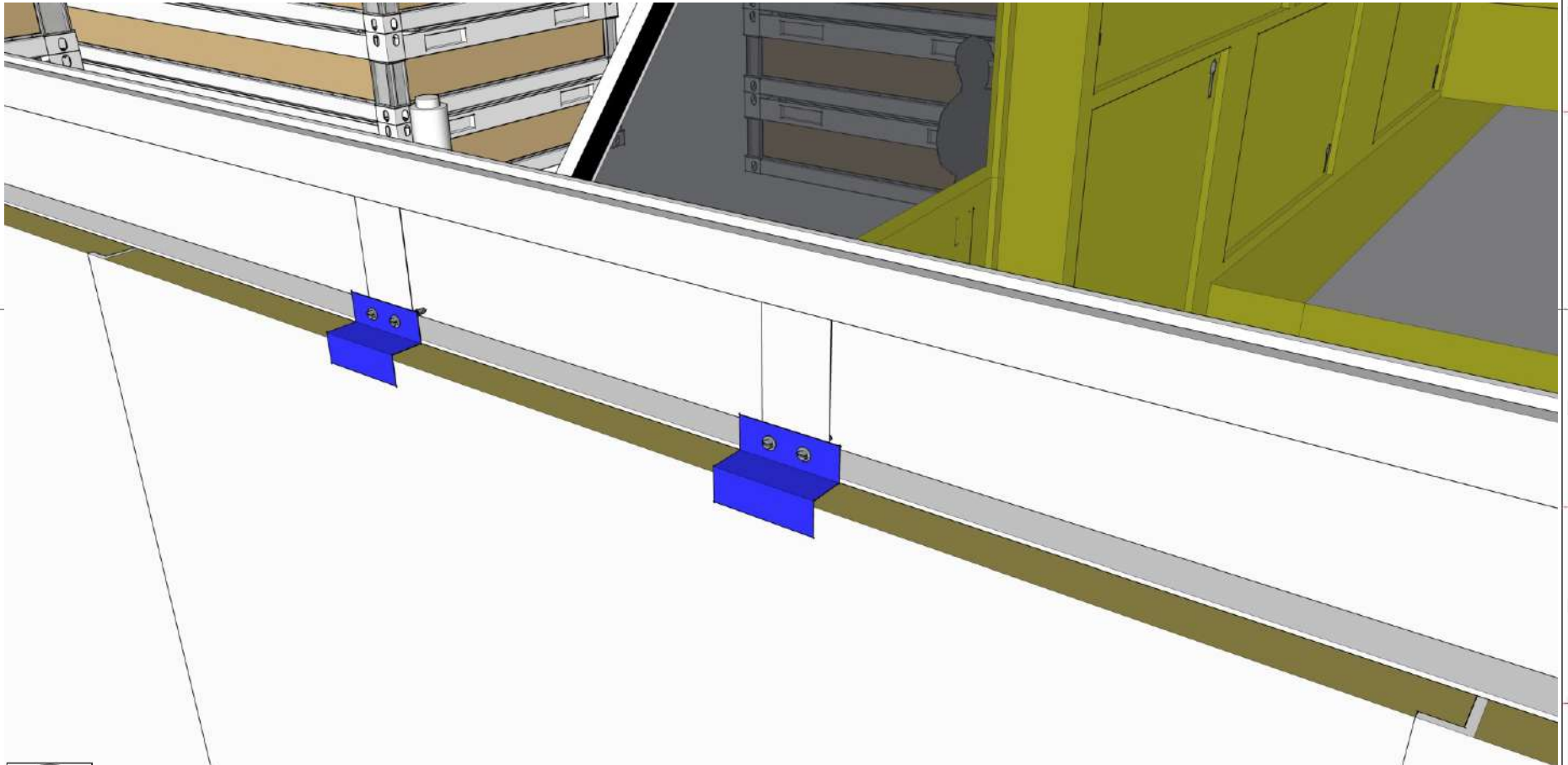
4

5

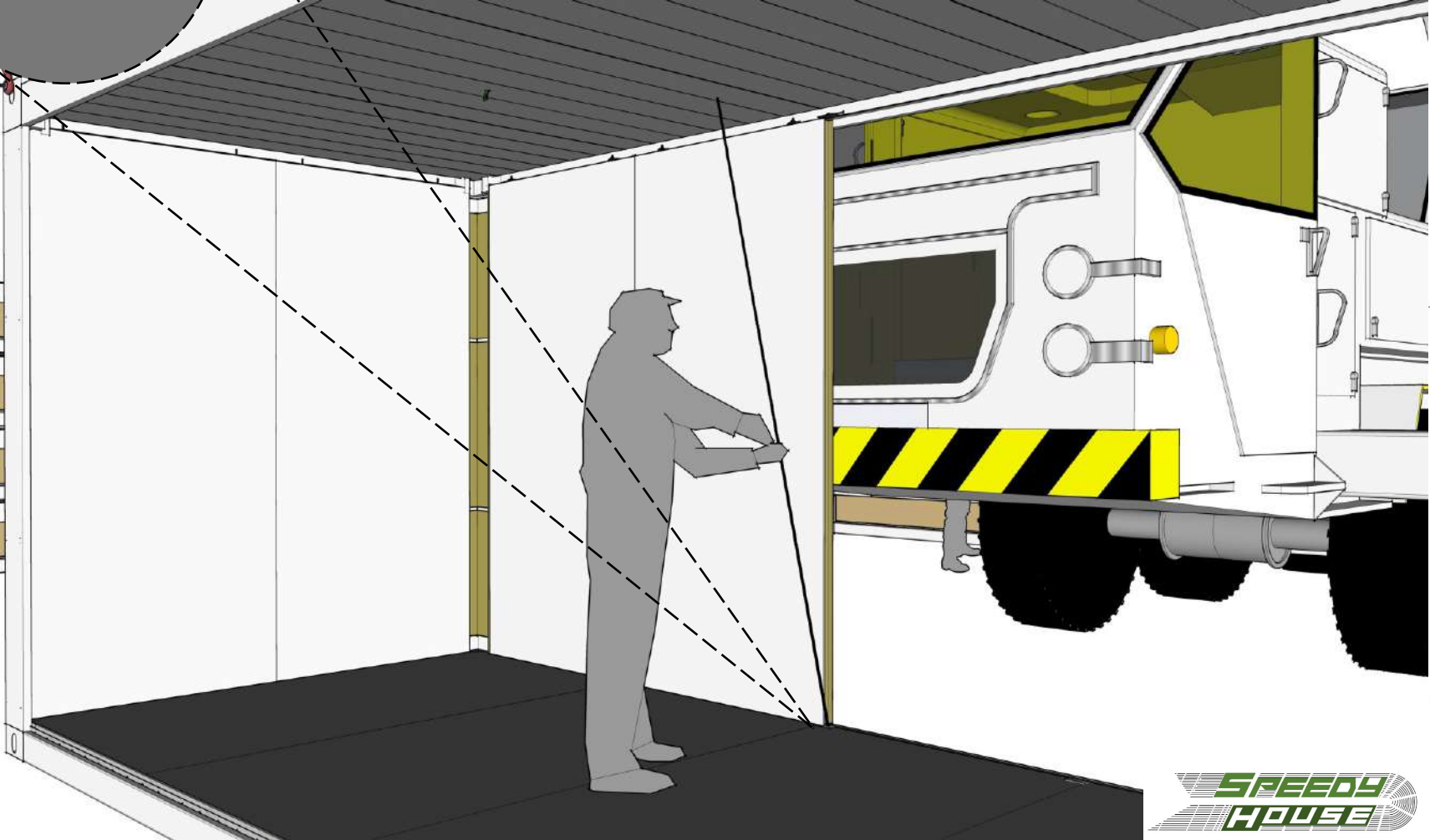
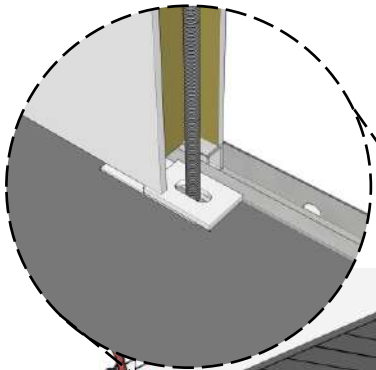
6

7

**Fix the bended locking plates with
2 x self drilling screws**



**Install the M10 full threaded iron rod
on the middle of the long side
(location is after the 2nd and after
the 3rd wall panel)**



1

2

3

4

5

6

7

8

A

A

Insert the threaded iron rod locking plate

B

B

C

C

D

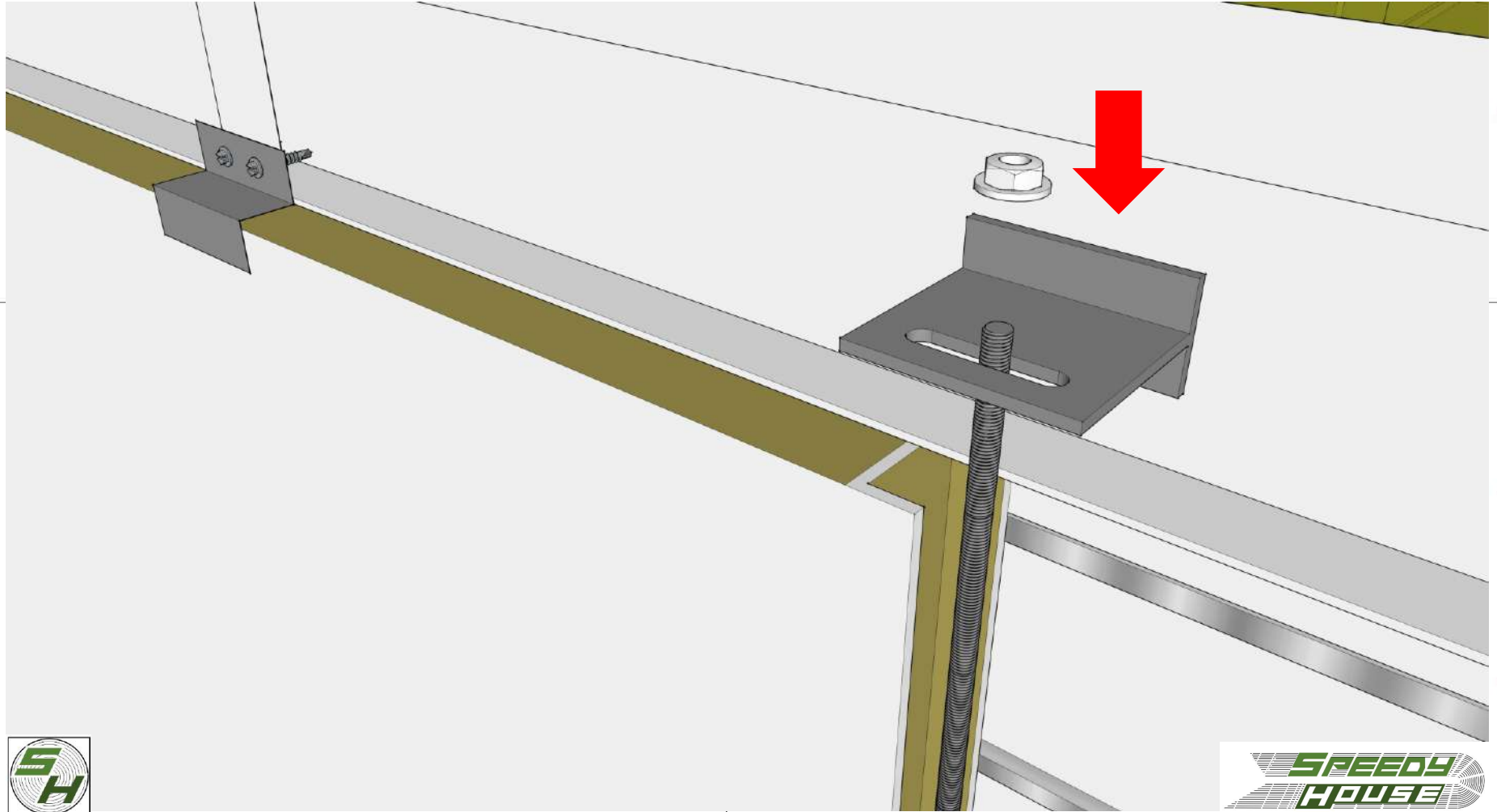
D

E

E

F

F



1

2

3

4

5

6

7

1

2

3

4

5

6

7

8

A

A

Tighten it with M10 bolt and washer

B

B

C

C

D

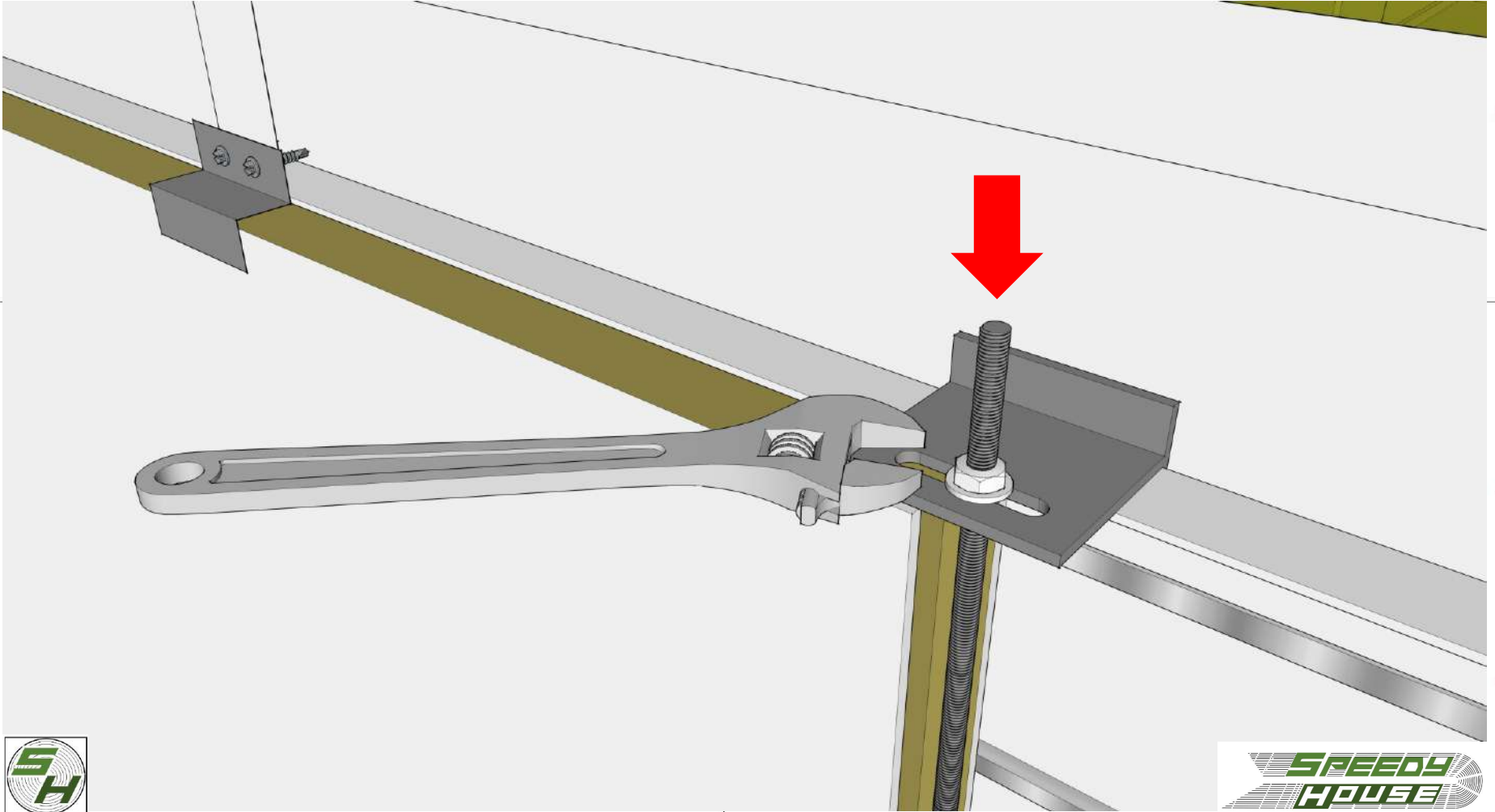
D

E

E

F

F



1

2

3

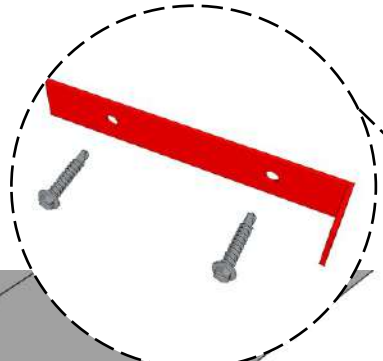
4

5

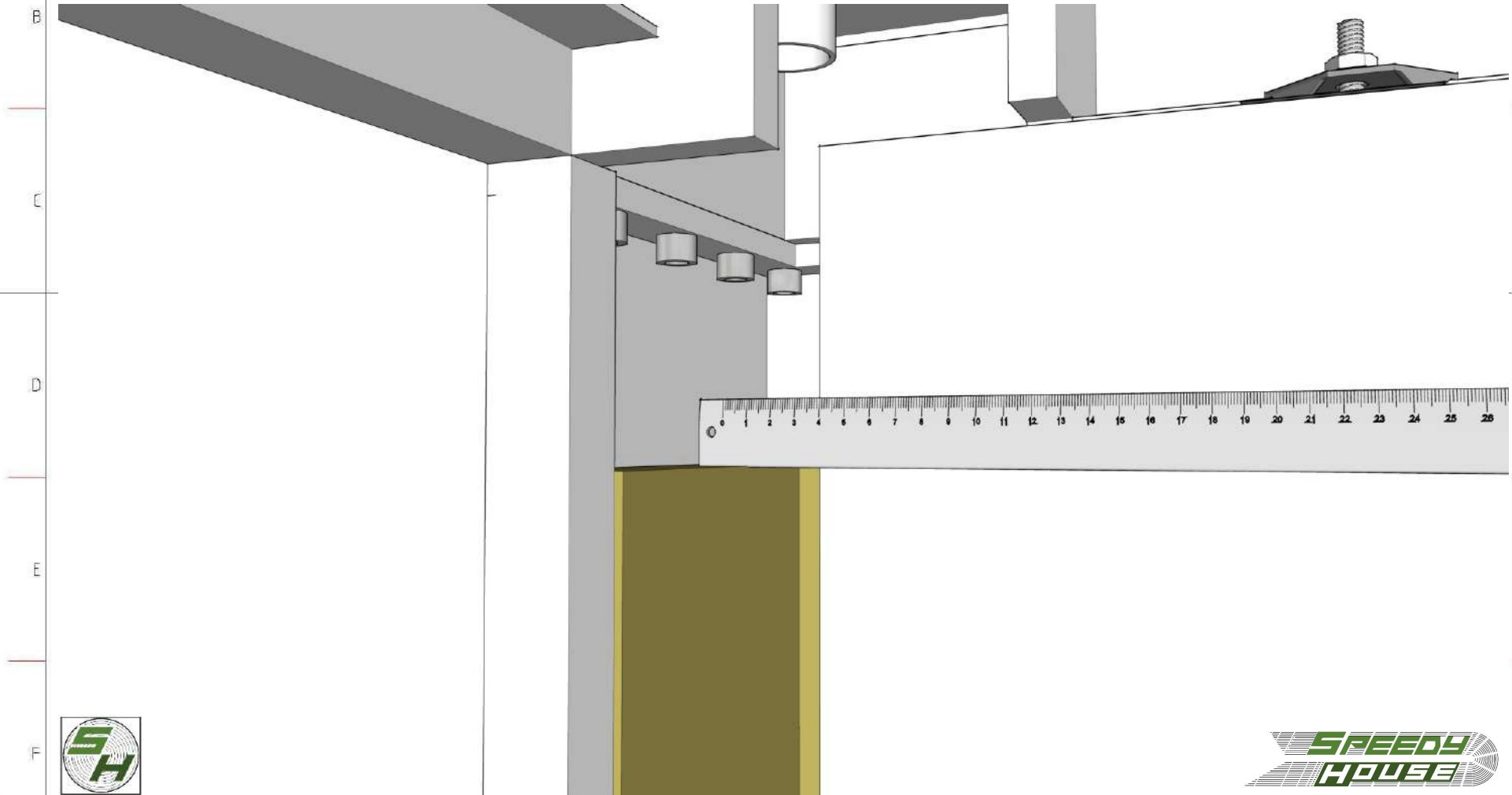
6

7

In the **long side**, fix the (L-shape) metal spacer with M4x20 screws to the corner post reinforcements to position the panel. Distance is approx. 130 mm



In the **short side**, position the panel 40 mm from the corner post



1

2

3

4

5

6

7

8

A

A

**Drill a 5cm hole in the corner post
reinforcements**

B

B

C

C

D

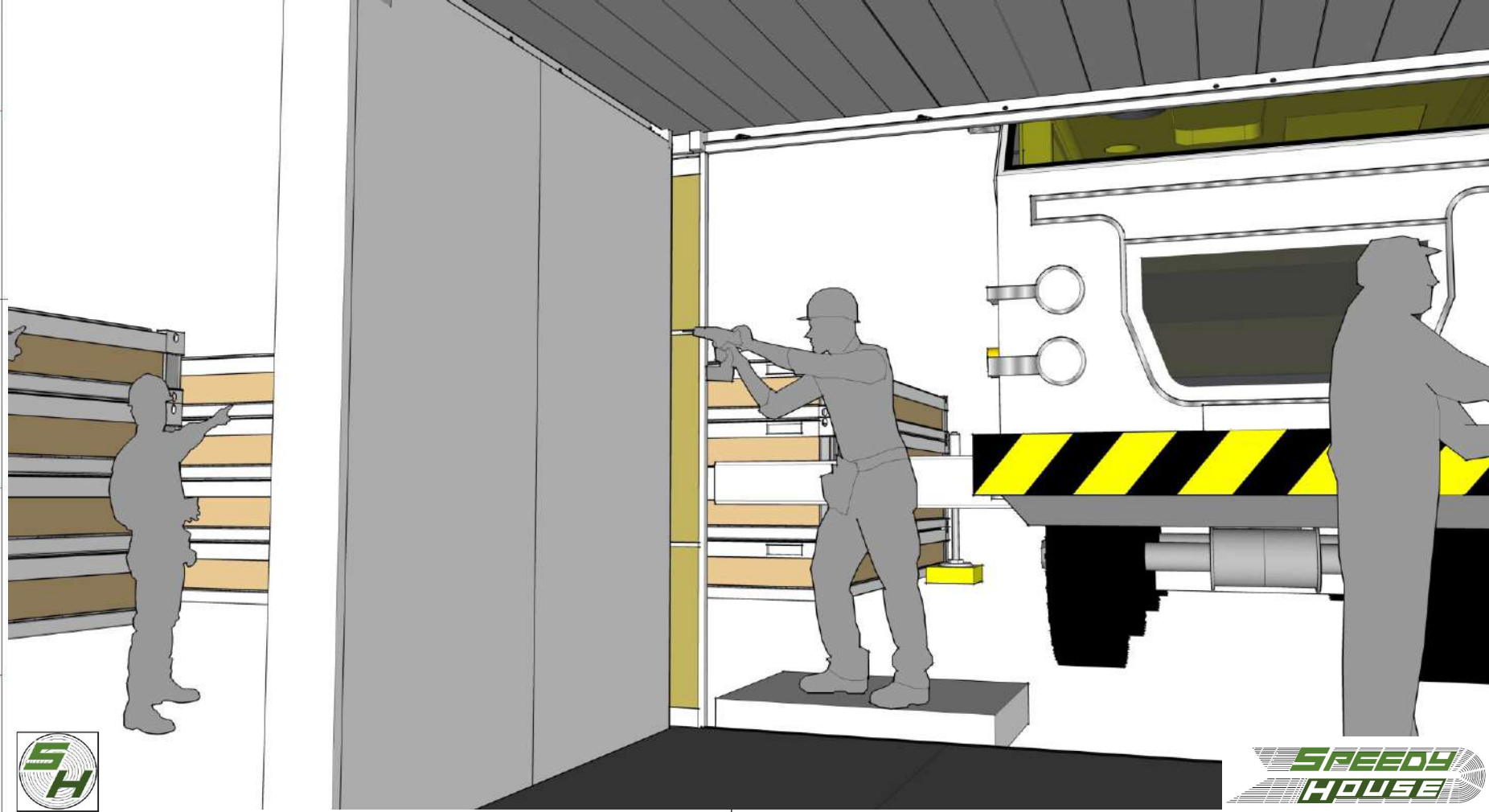
D

E

E

F

F



1

2

3

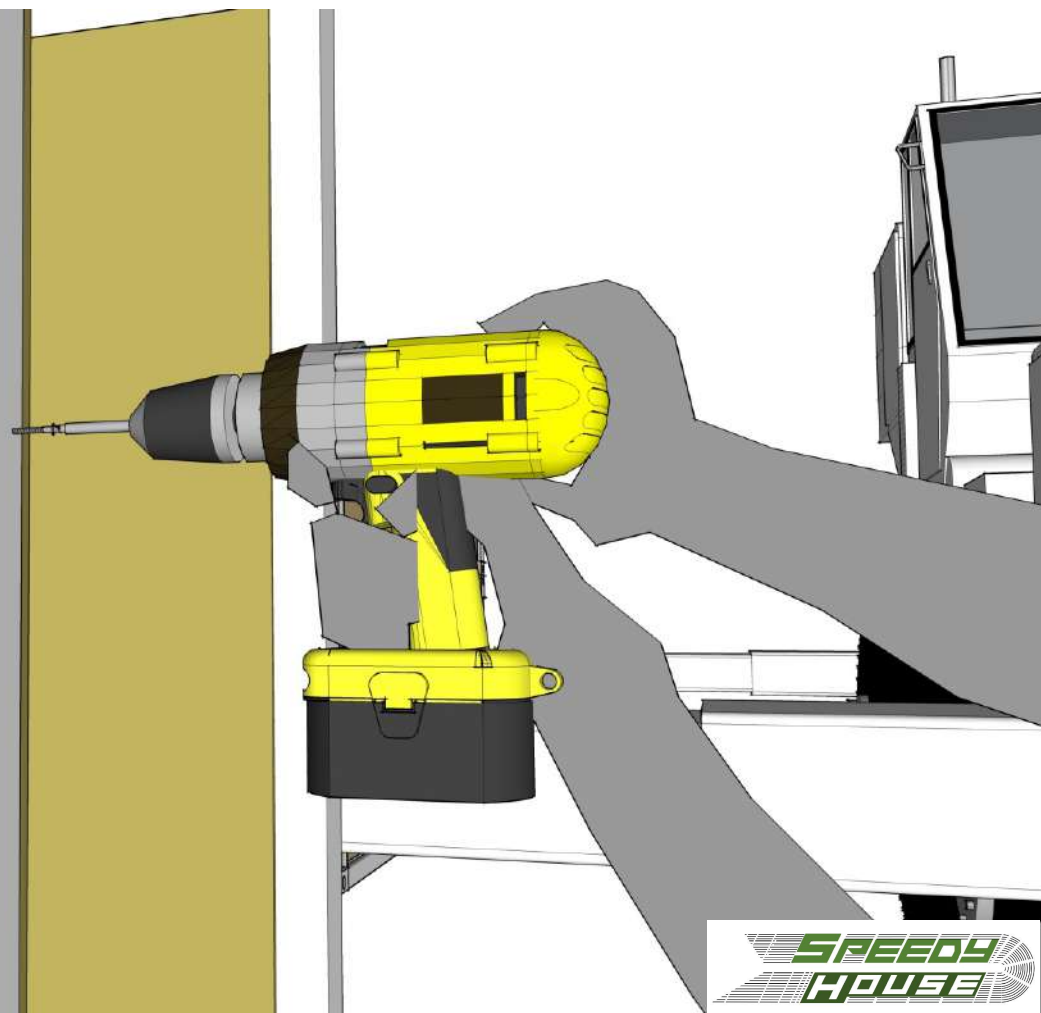
4

5

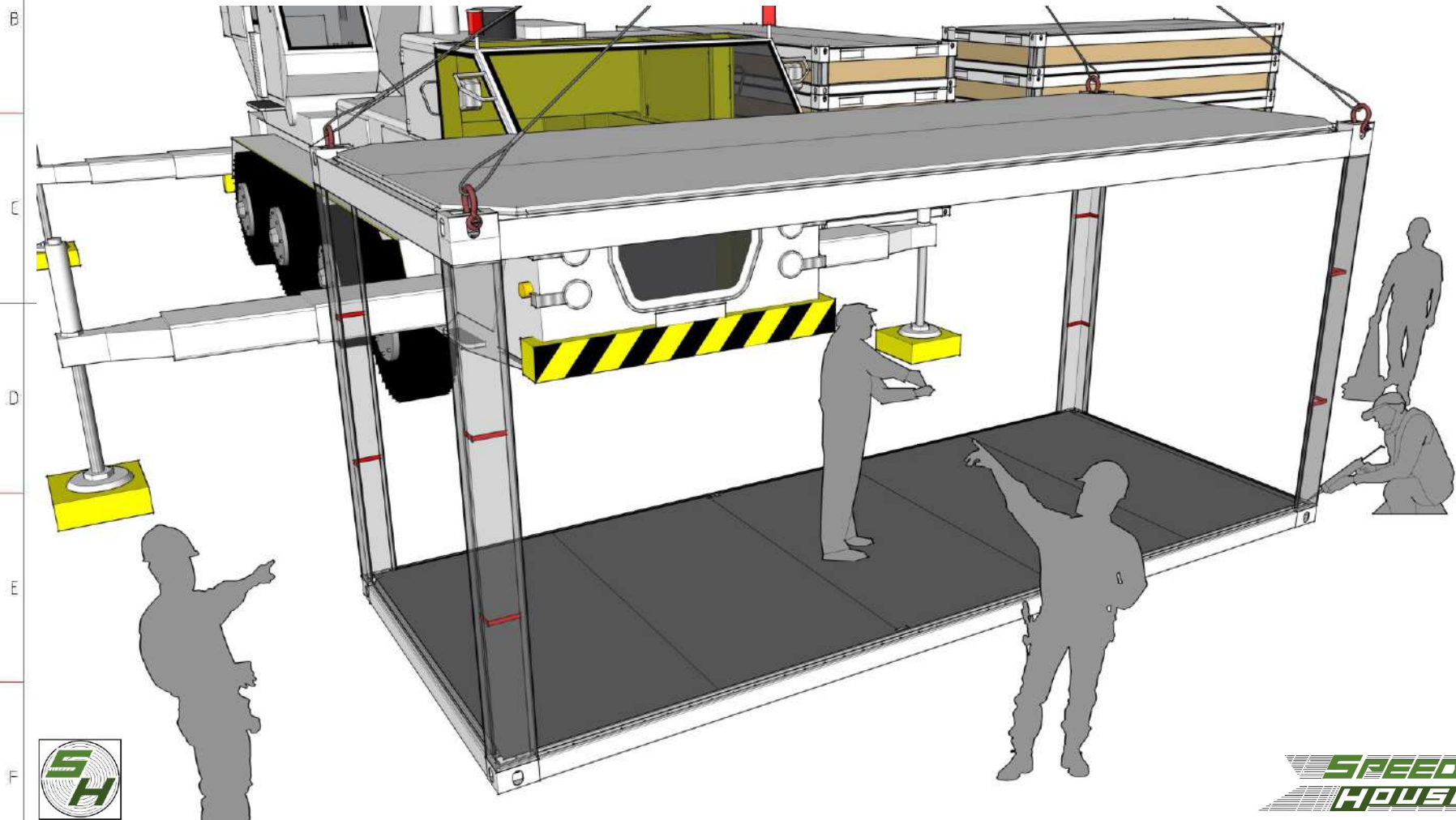
6

7

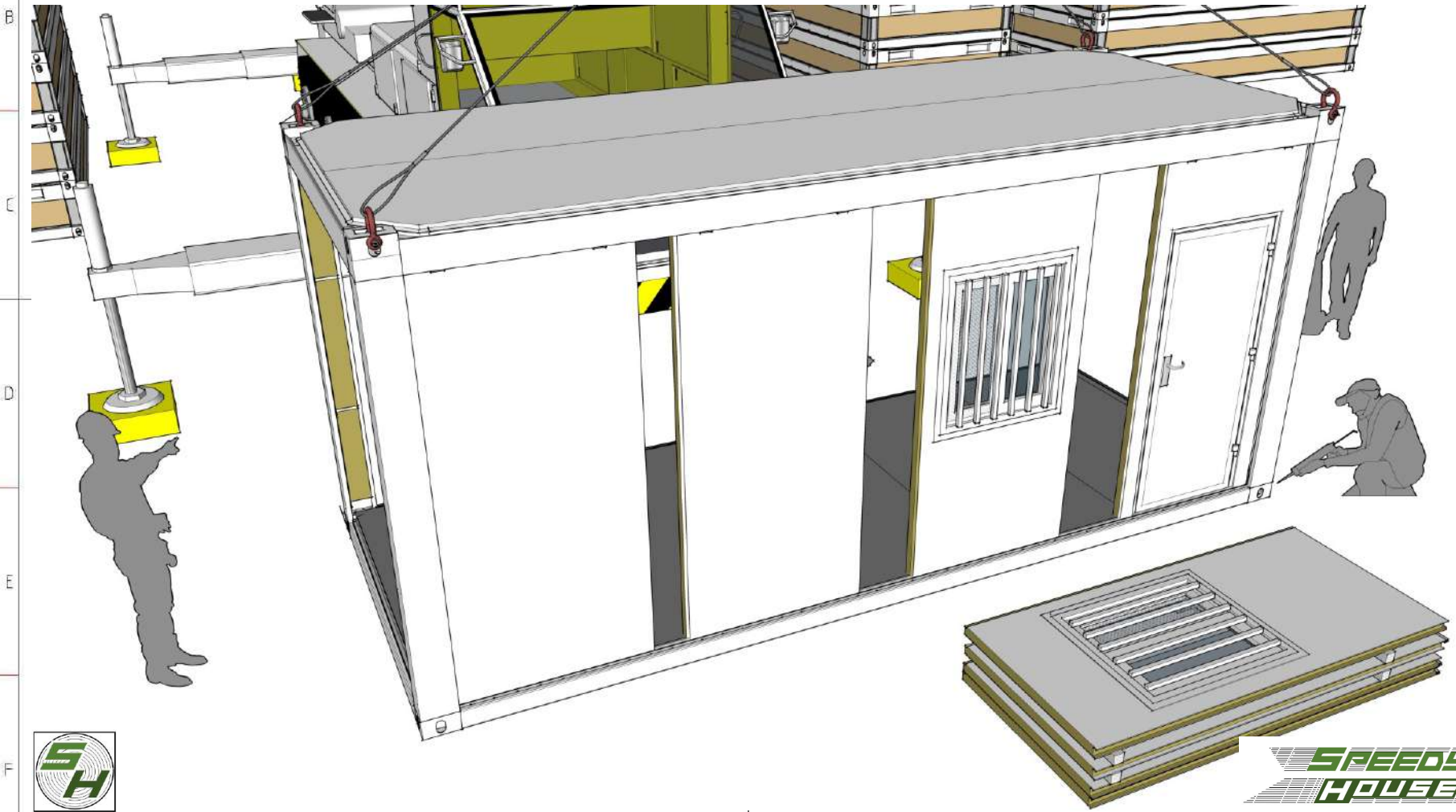
Fix the end panels with 90mm long screws



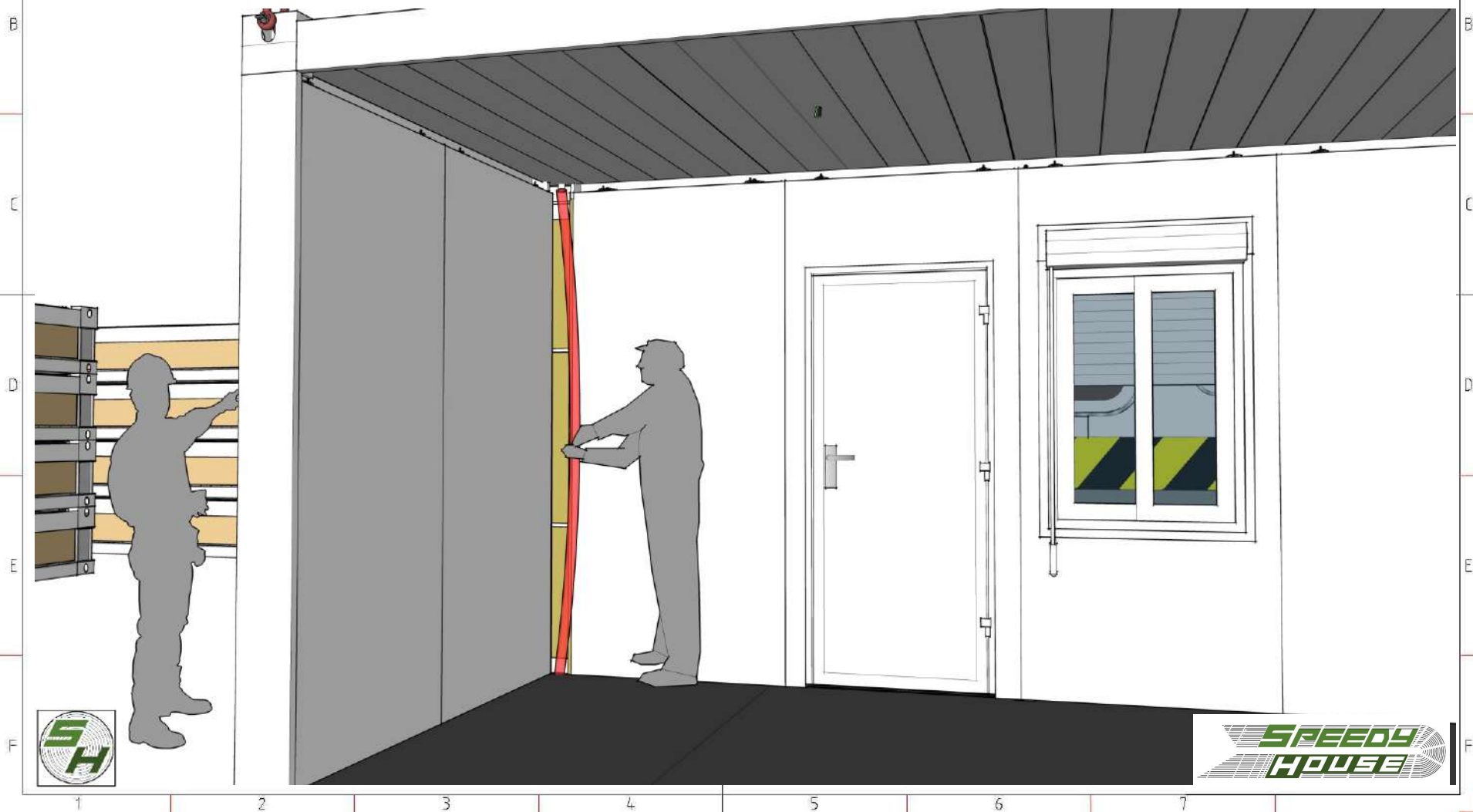
Location of corner post reinforcements



**Wall panels are interchangeable,
however, this will affect the position
of sockets and switches and length
of electric cables**



**Fit the PVC drain pipes on 4 corners -
Insert the bottom part, then bend it
a little and push top end to upper
corner**



1 2 3 4 5 6 7 8

A

**Wiring system for units with
Sandwich mineral wool panels
Cables installed in between panels**

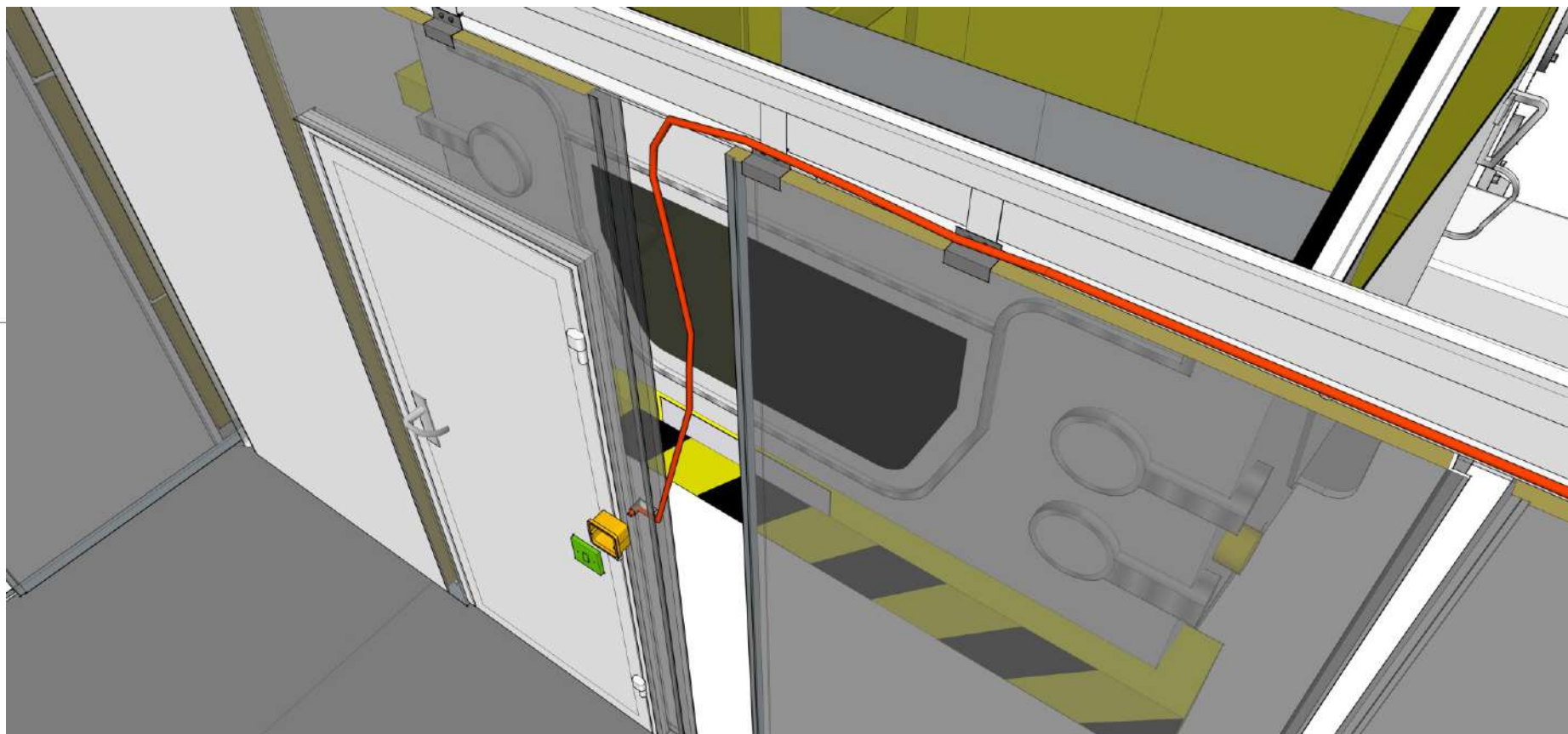
B

C

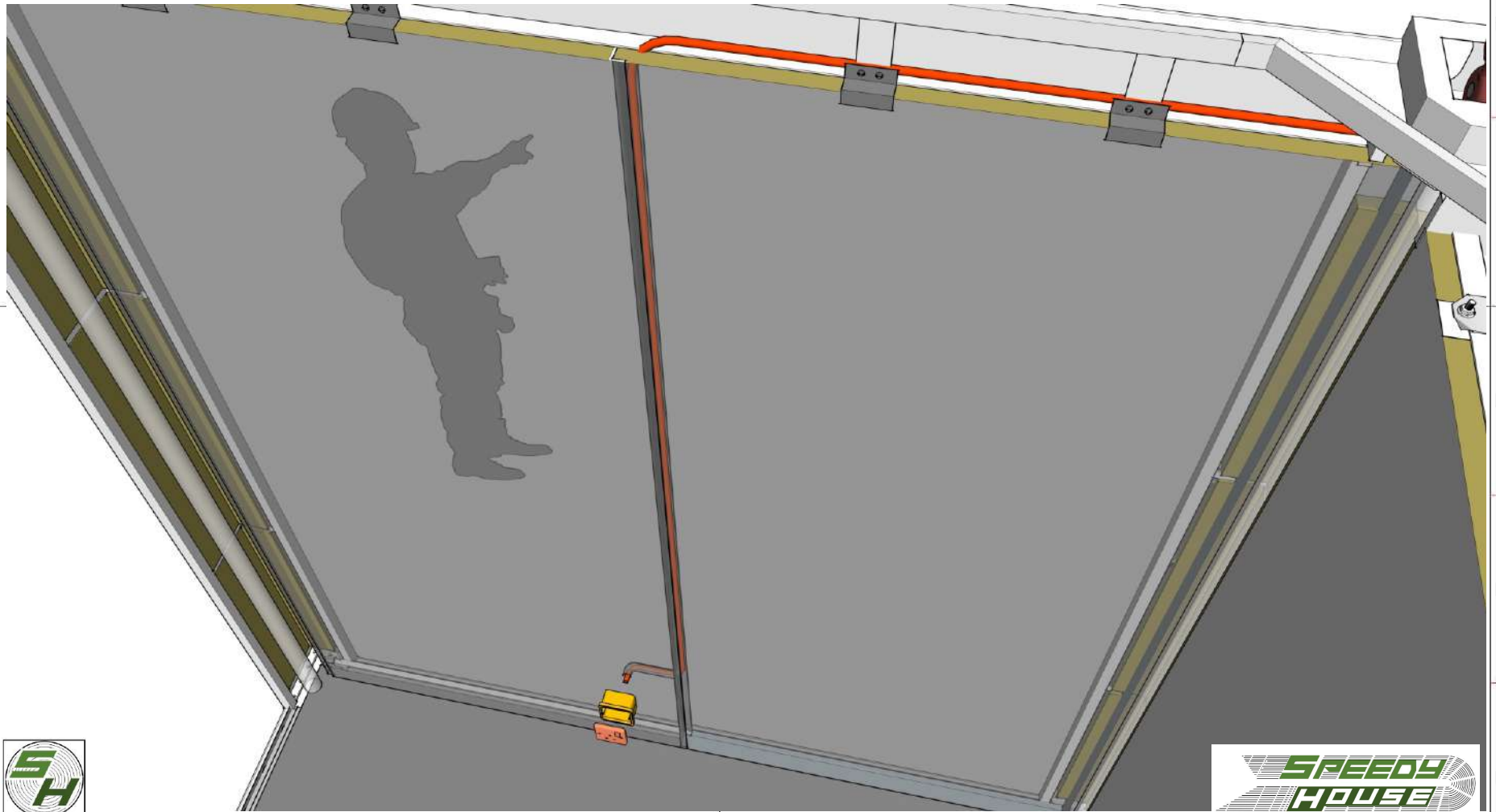
D

E

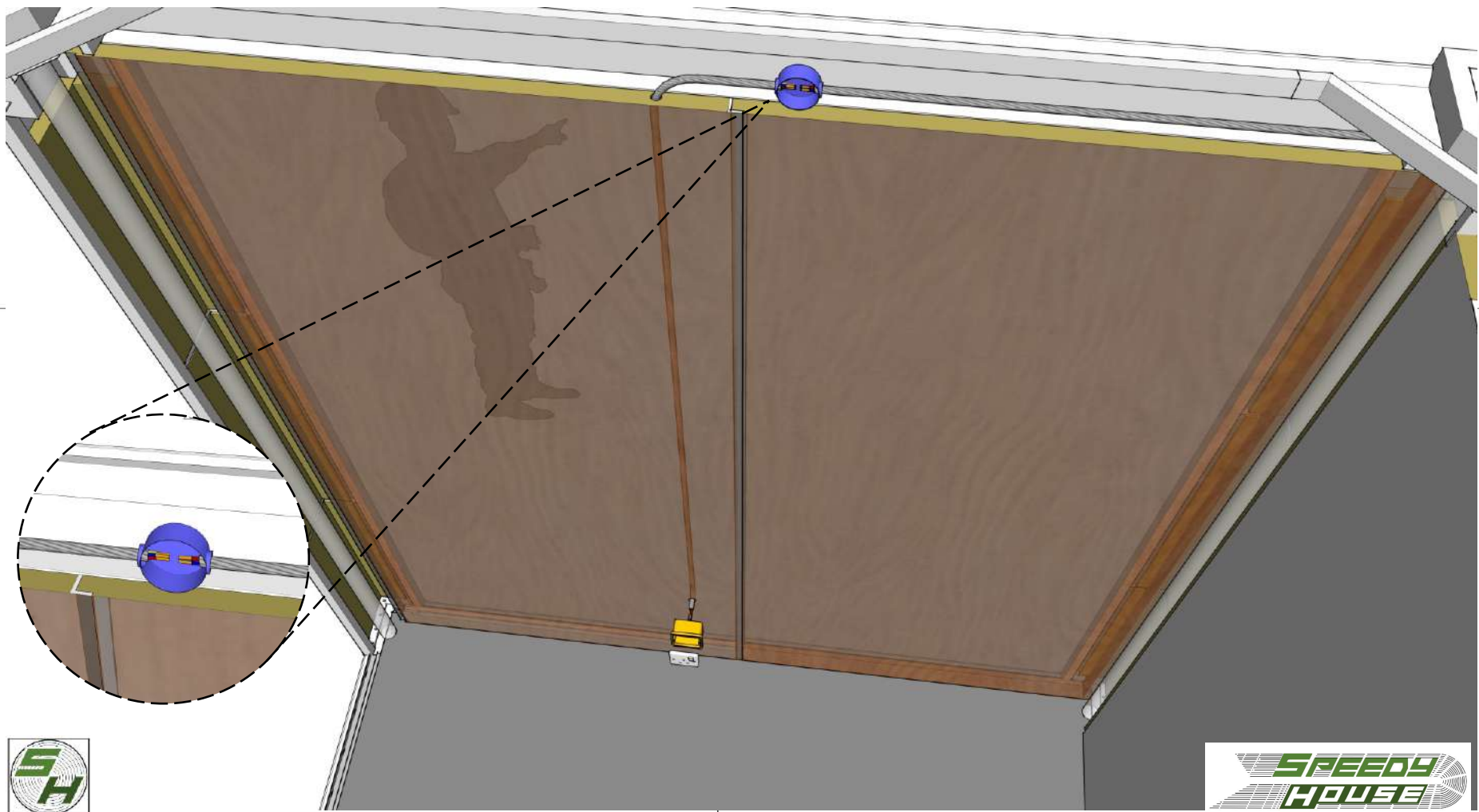
F



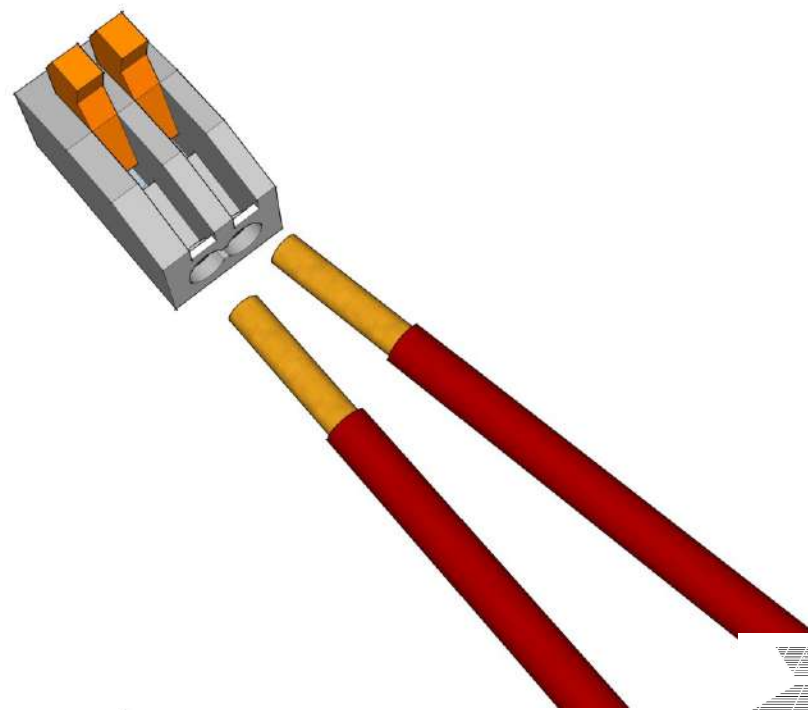
**Wiring system for units with
Sandwich mineral wool panels
Cables installed in between panels**



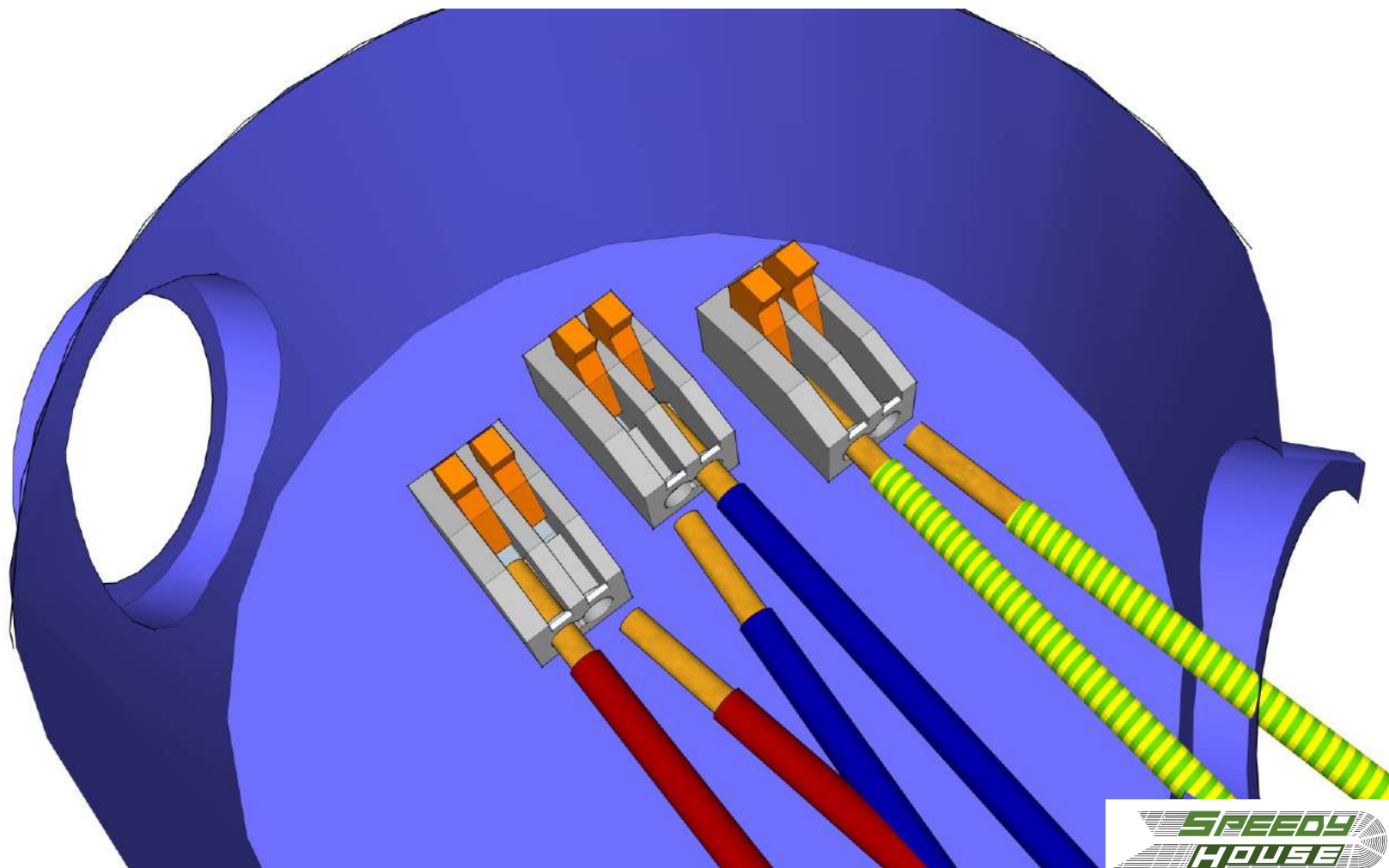
**Wiring system for units with
Chipboard panels**
Insert pre-wired conduits into junction box



**Wiring system for units with
Chipboard panels
Plug cables in the connector**



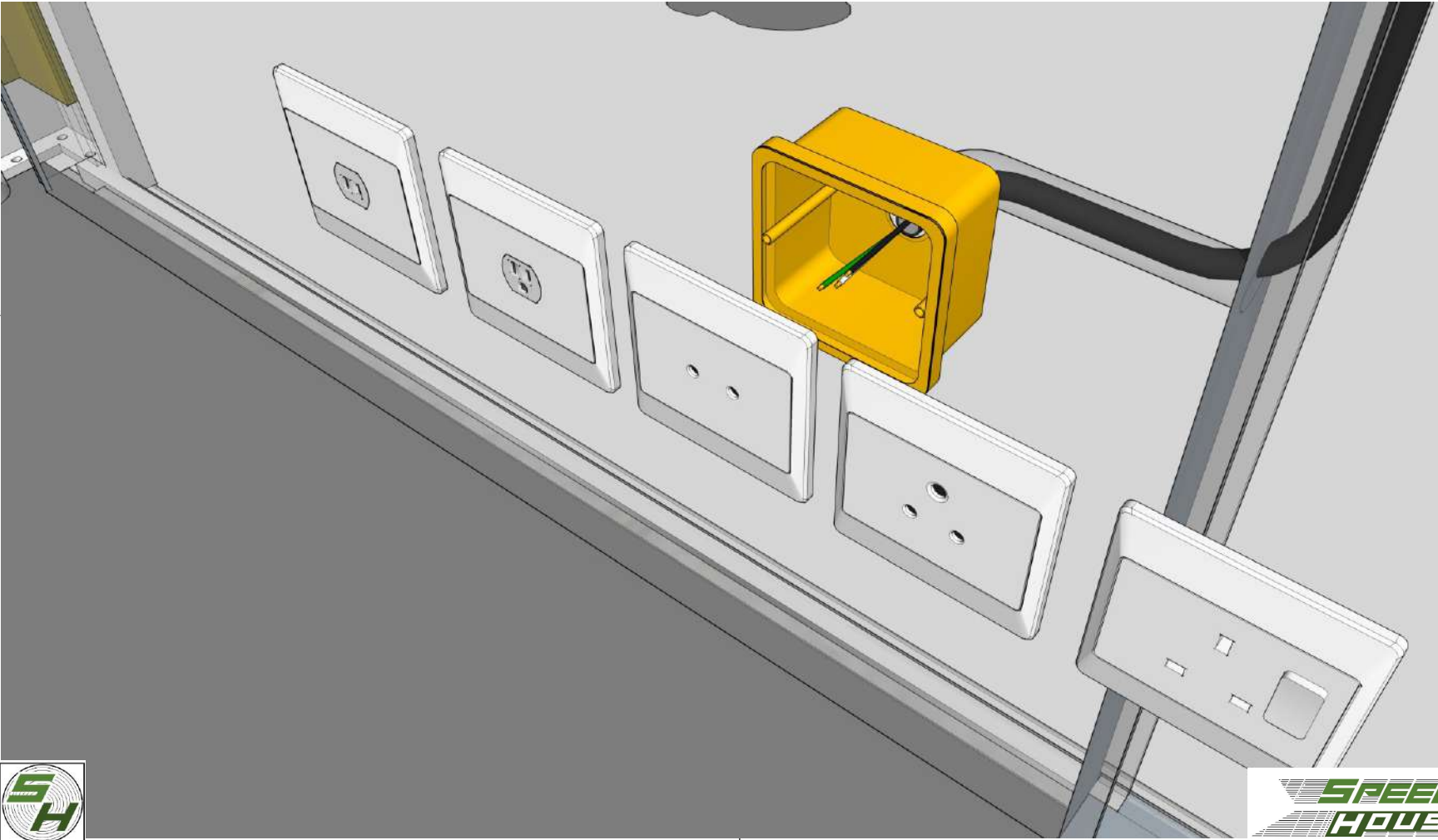
**Wiring system for units with
Chipboard panels
Connect all poles (match cable colors)**



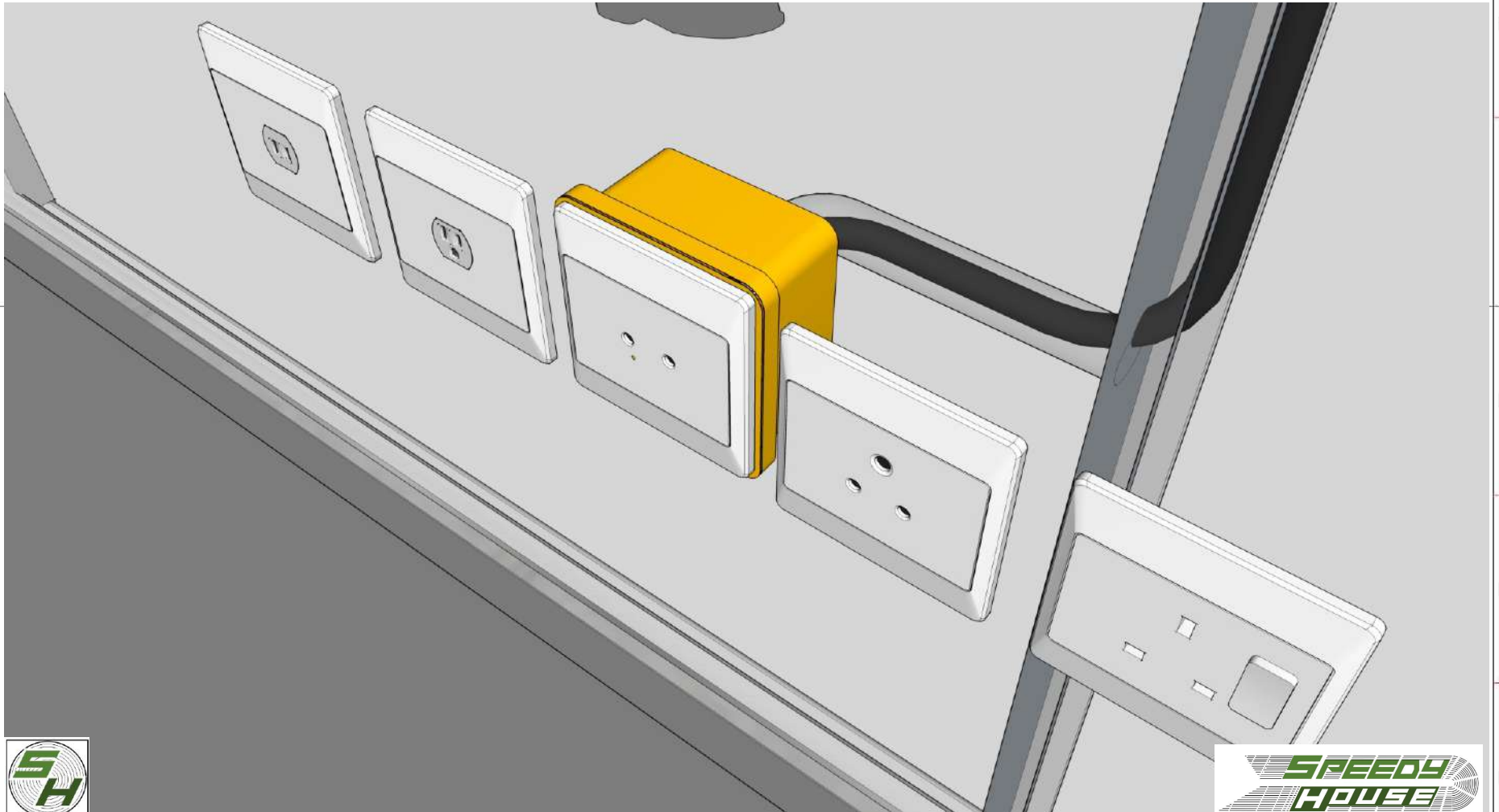
Install lighting fixtures on ceiling



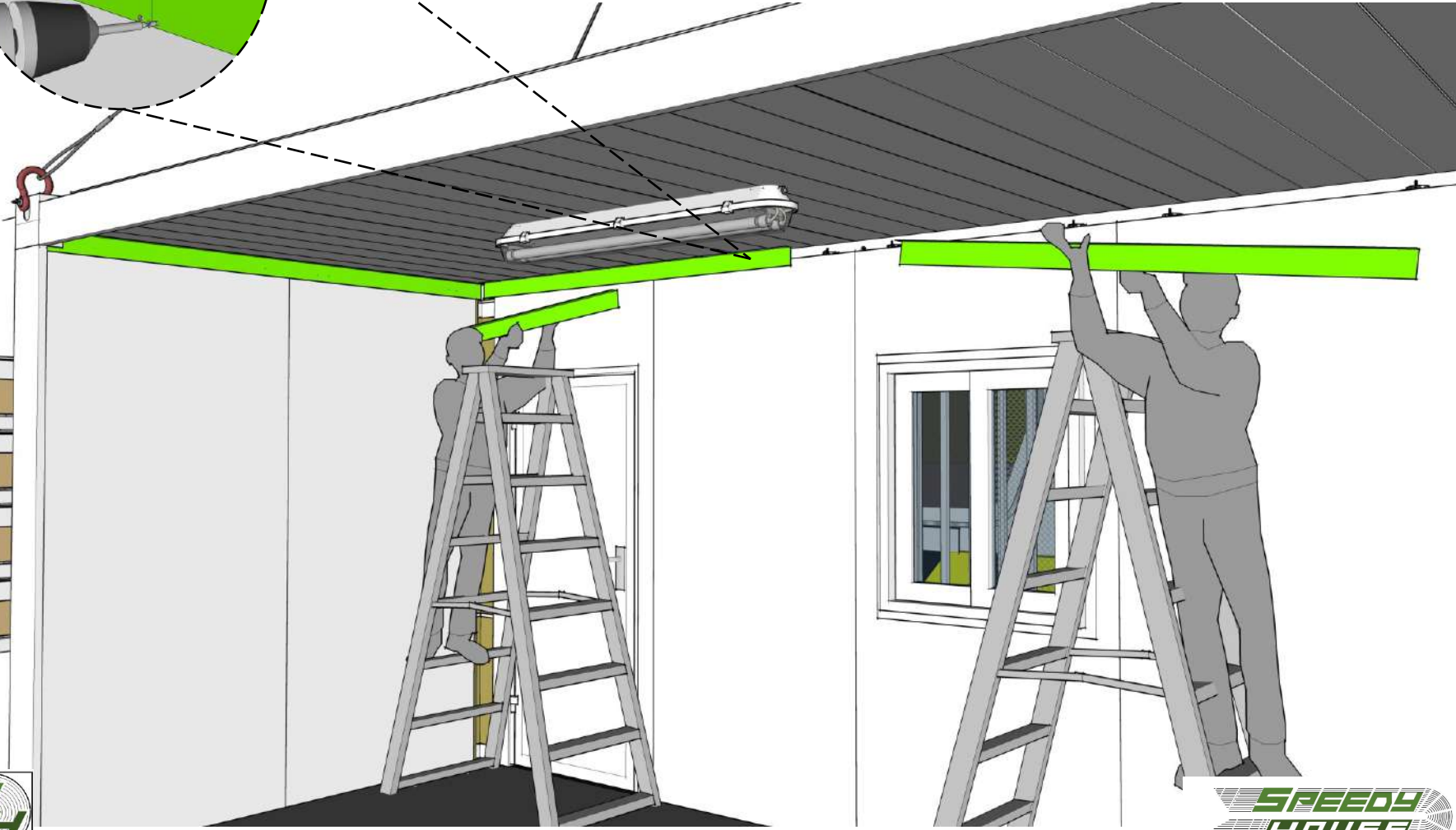
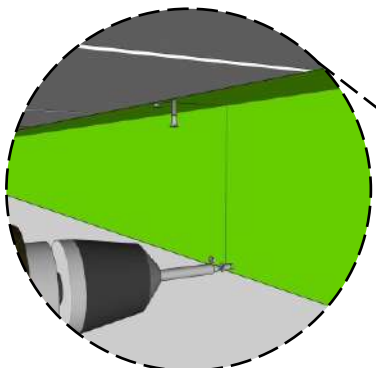
Pull the cables through the panel pre-drilled holes



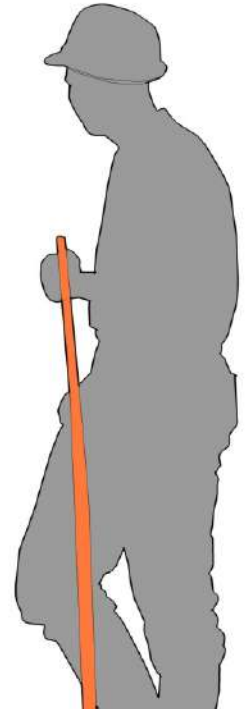
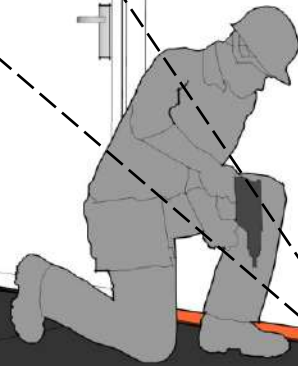
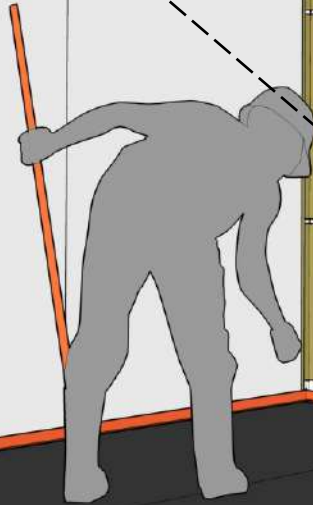
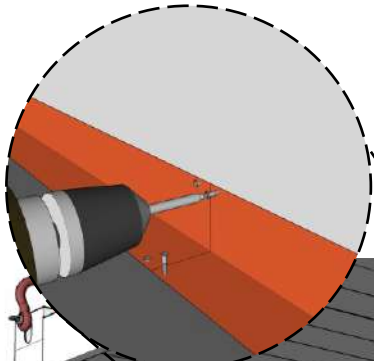
**Install the cables to the
socket/switch and the cover plate**



Install the ceiling flashings. Use M5 x 35 and M5 x 90 screws



**Install the steel skirtings.
Use M4 x 20 screws**

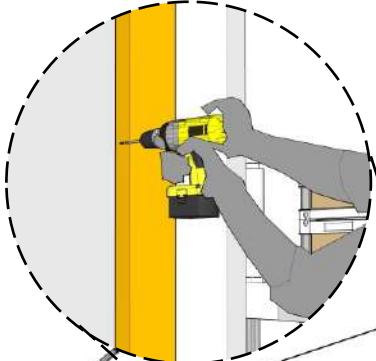


1 2 3 4 5 6 7 8

A
B
C
D
E
F

A
B
C
D
E
F

**Install corner flashings in 4 corners.
Use M5 x 35 screws**



1 2 3 4 5 6 7

1

2

3

4

5

6

7

8

A

A

Install the external rubber door stopper

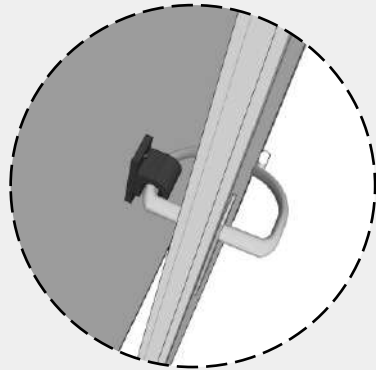
B

B



C

C



D

D

E

E



F

F



1

2

3

4

5

6

7

1

2

3

4

5

6

7

8

A

B

C

D

E

F

A

B

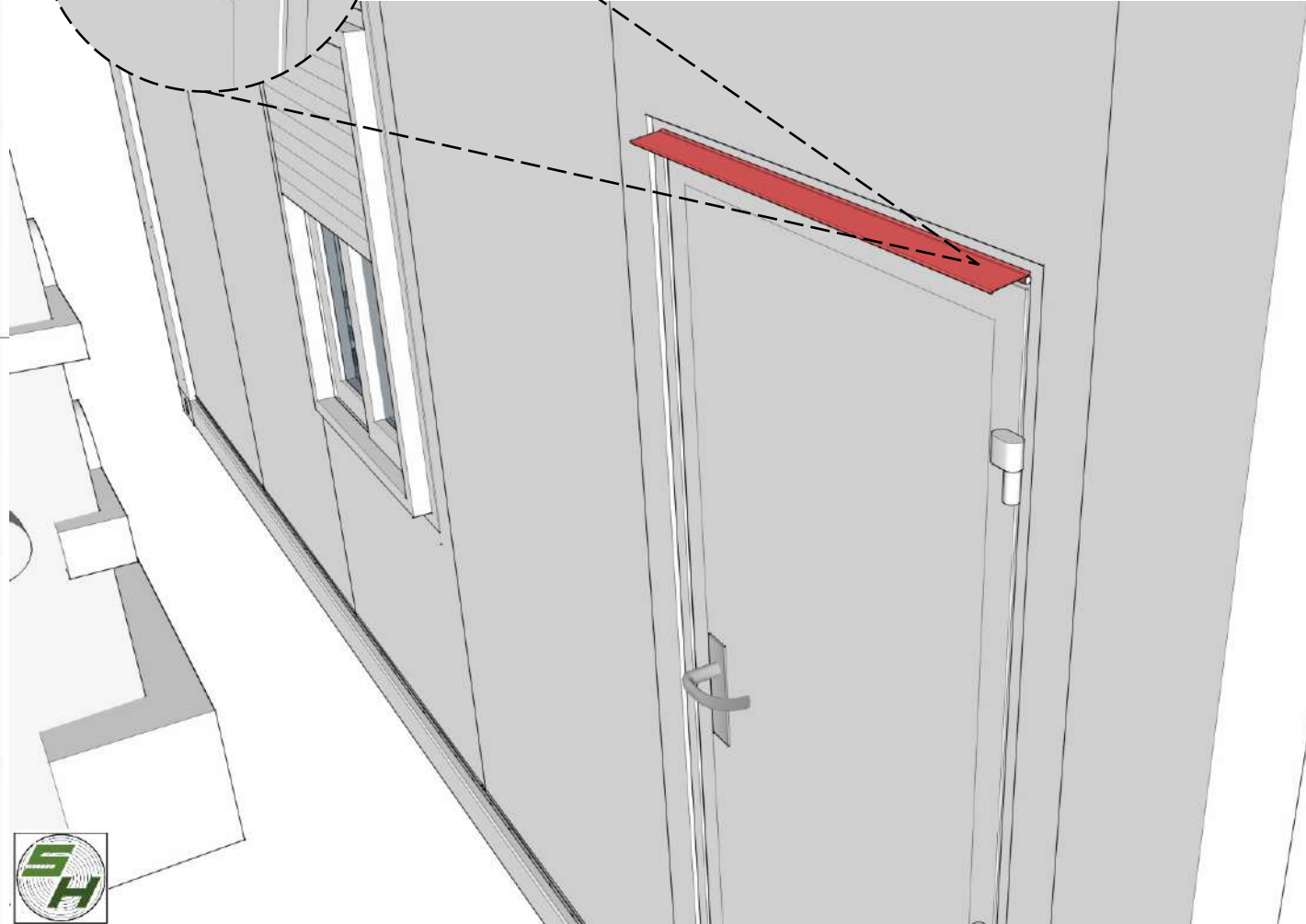
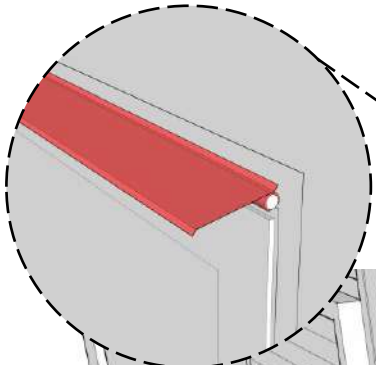
C

D

E

F

Install the door rain gutter



1

2

3

4

5

6

7

1

2

3

4

5

6

7

8

A

B

C

D

E

F

A

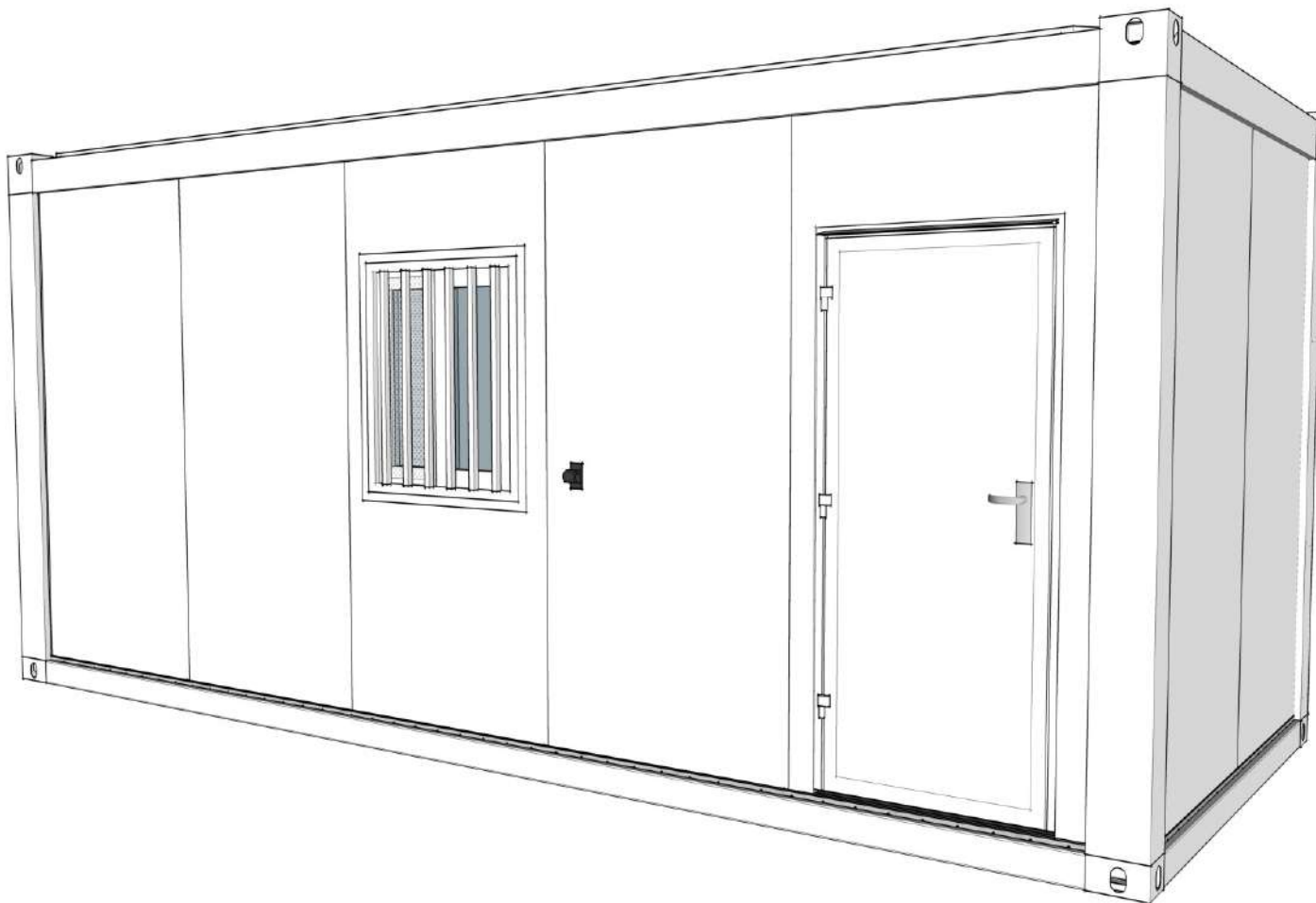
B

C

D

E

F



1

2

3

4

5

6

7

1

2

3

4

5

6

7

8

A

B

C

D

E

F

A

B

C

D

E

F



1

2

3

4

5

6

7



**SPEEDY
HOUSE**